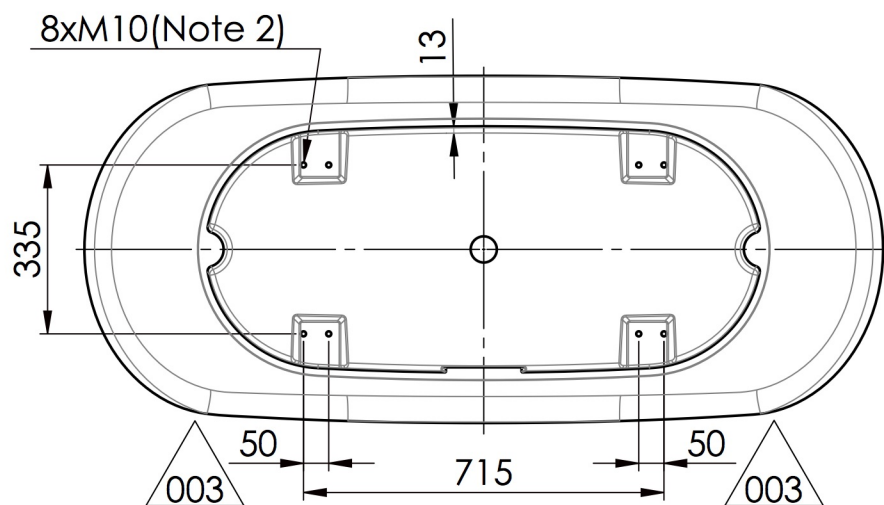


TOLERANCE: +3/-3 mm



CARINA 1584