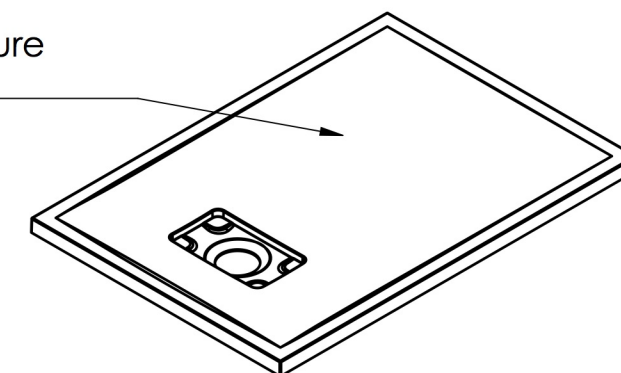


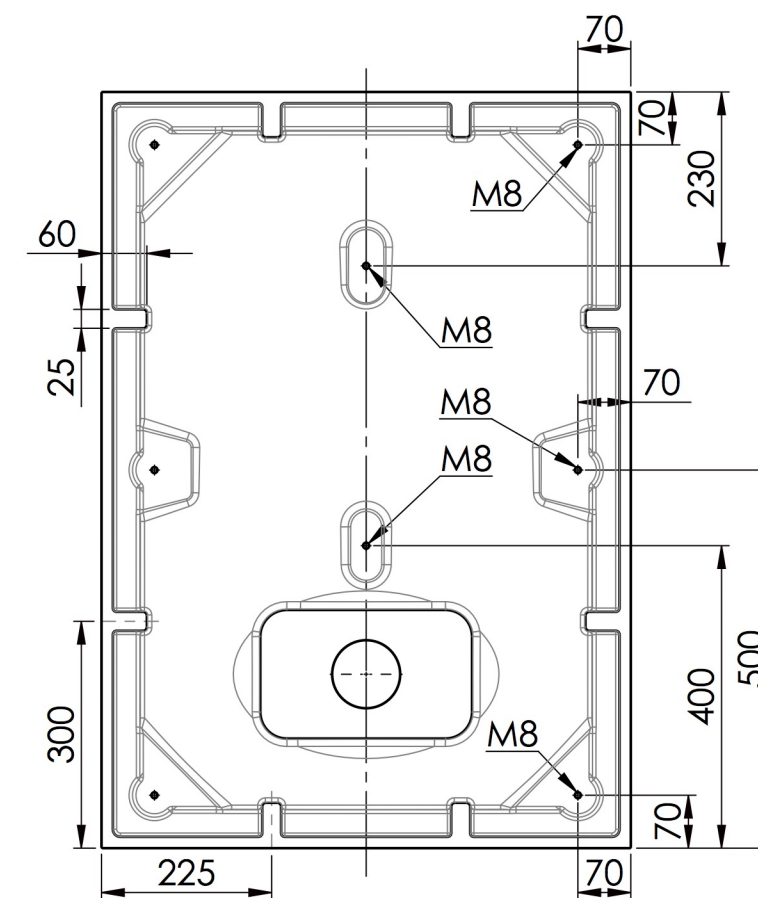
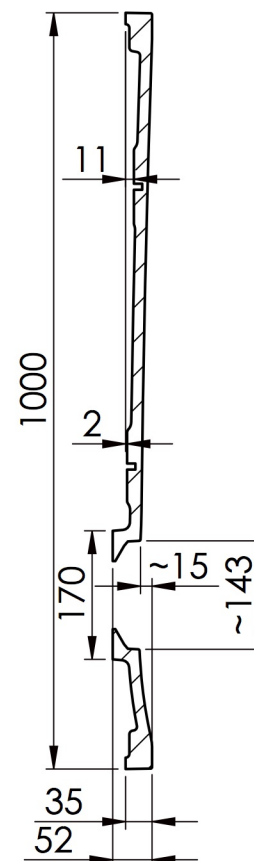
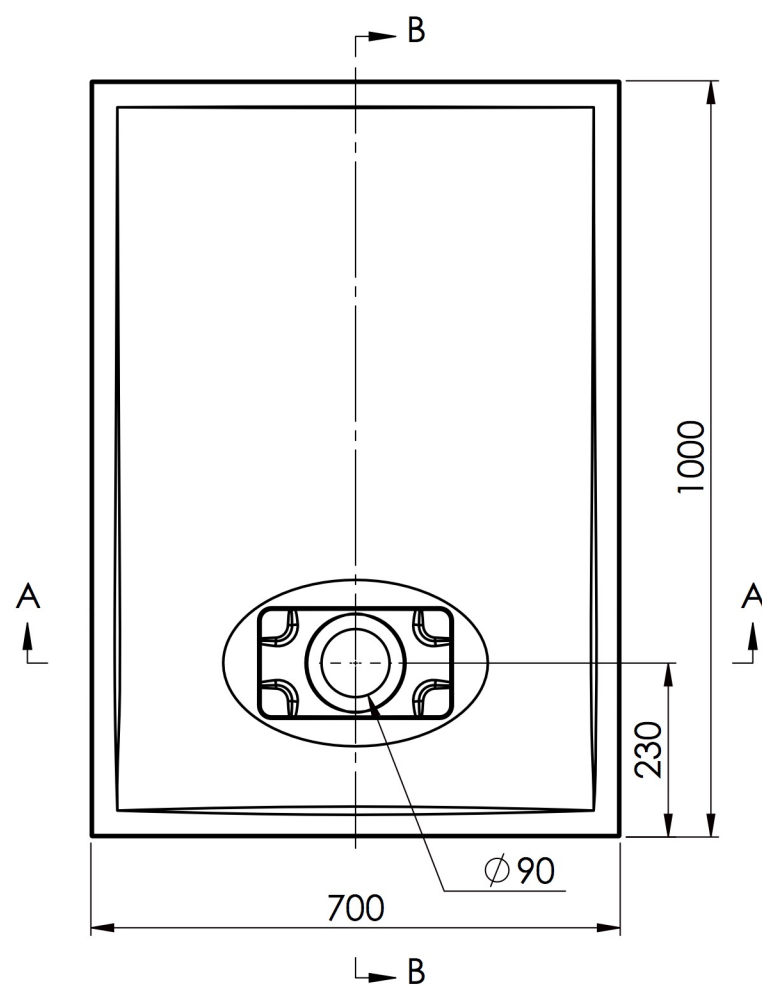
Surface with wood structure



B-B

Bottom view - feet position

TOLERANCE: +3/-3 mm



ALBERO 1000 x 700