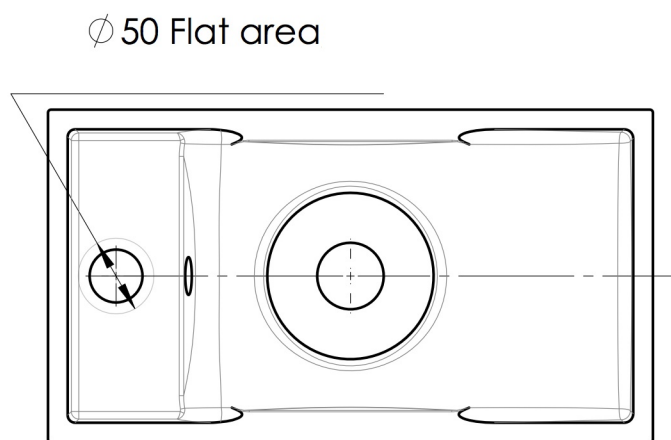


TOLERANCE: +3/-3 mm



ANDRIA 400 R/L