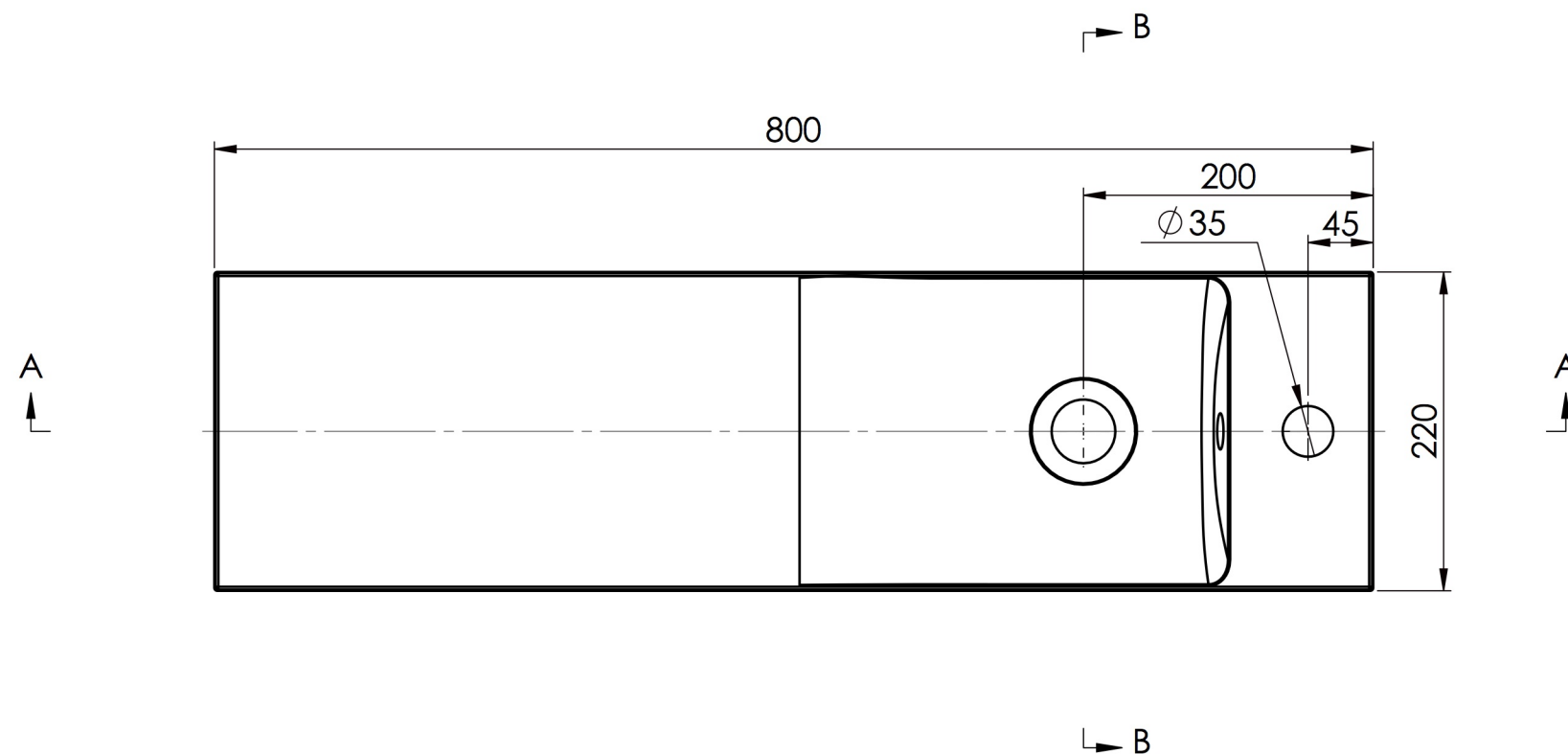
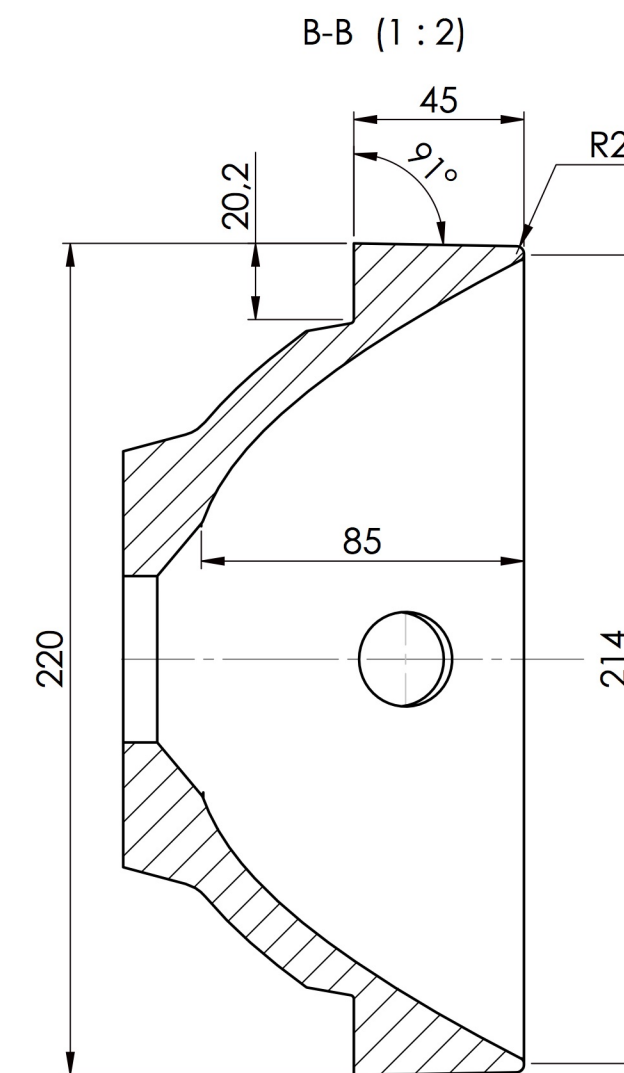


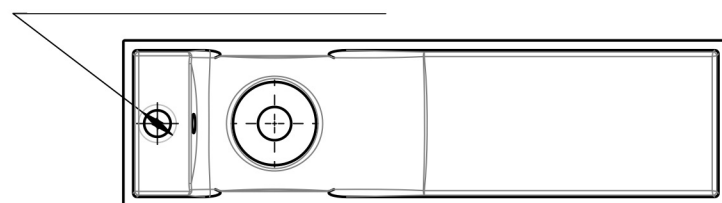
TOLERANCE: +3/-3 mm



Bottom view



Ø 50 Flat area



ANDRIA 800 R/L