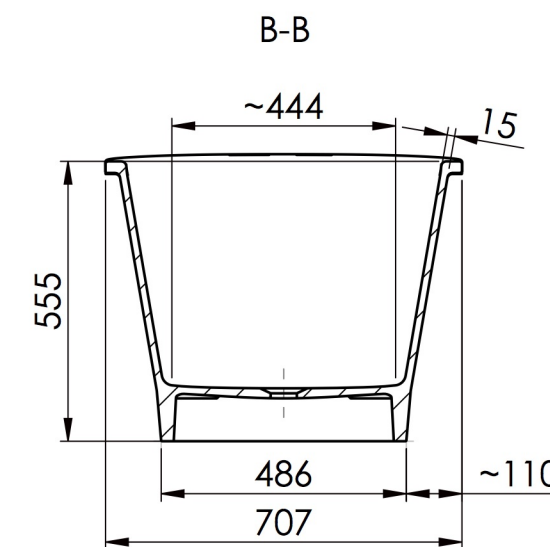
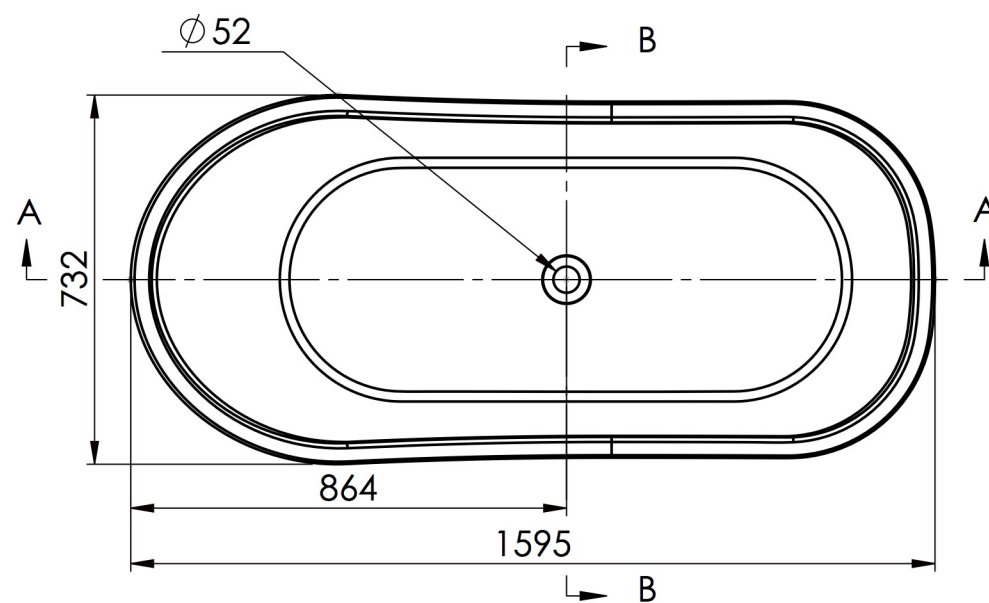
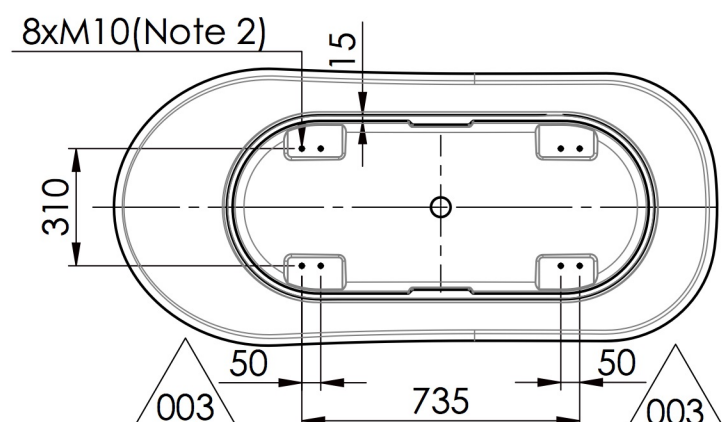


TOLERANCE: +3/-3 mm



Bottom view



ANDROMEDA 1590