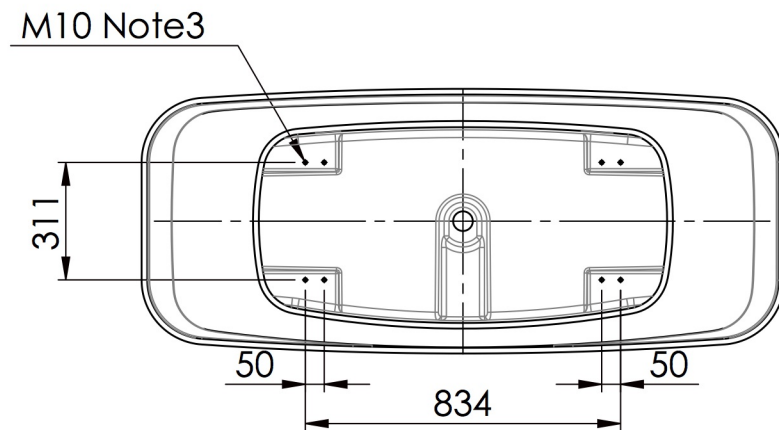


TOLERANCE: +3/-3 mm



# ARIES 1700