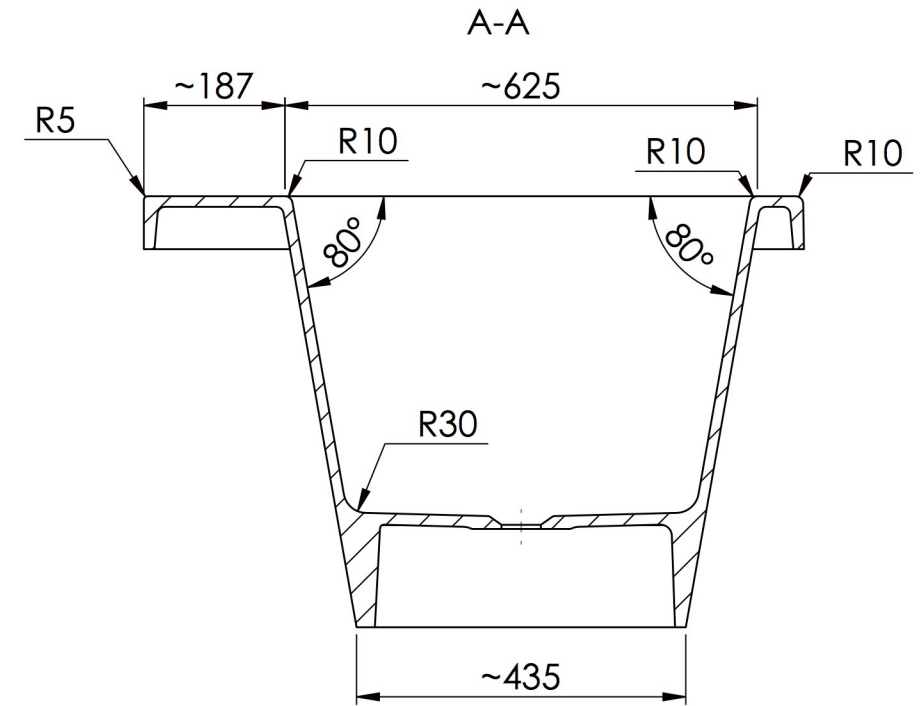
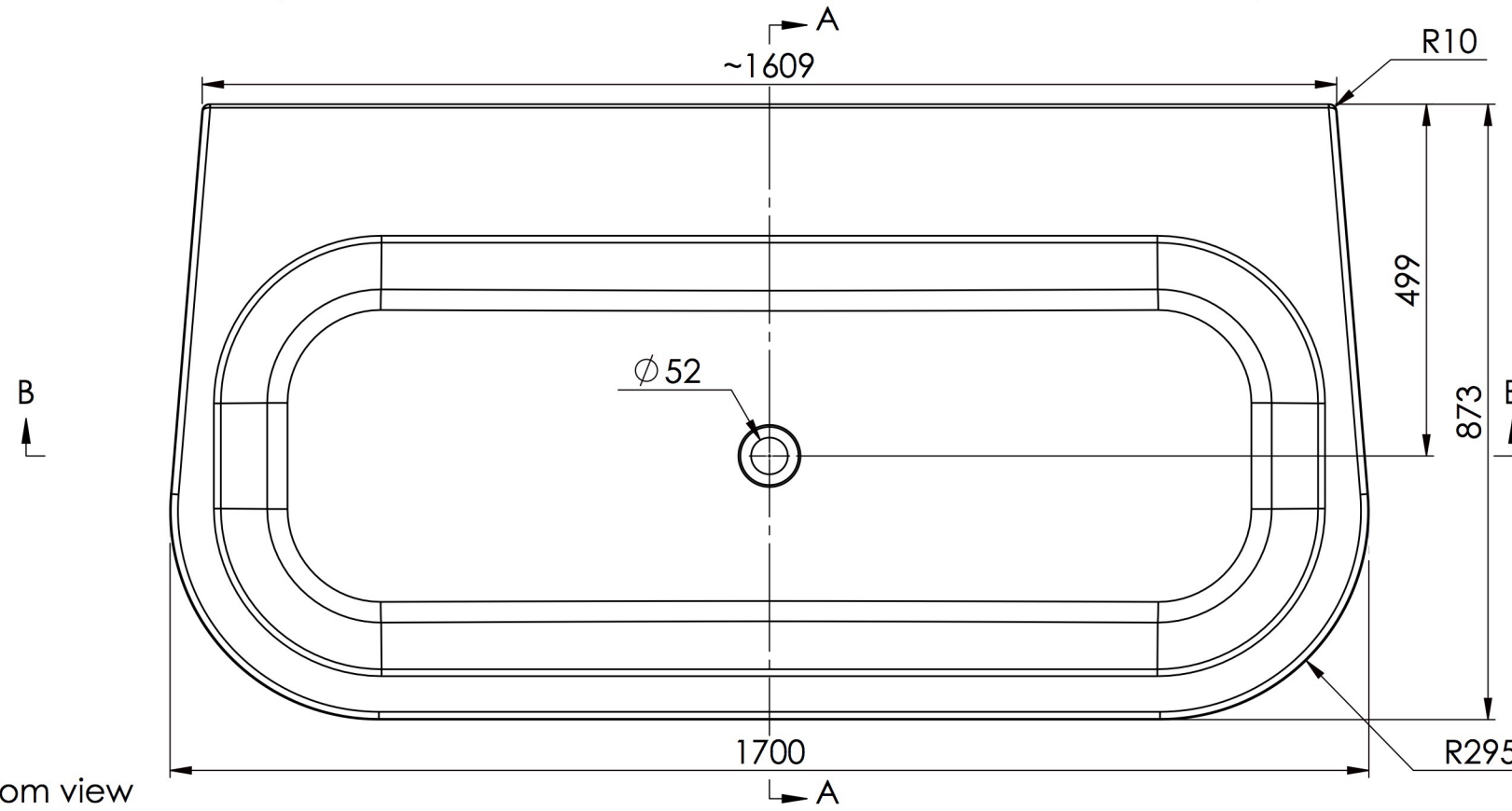
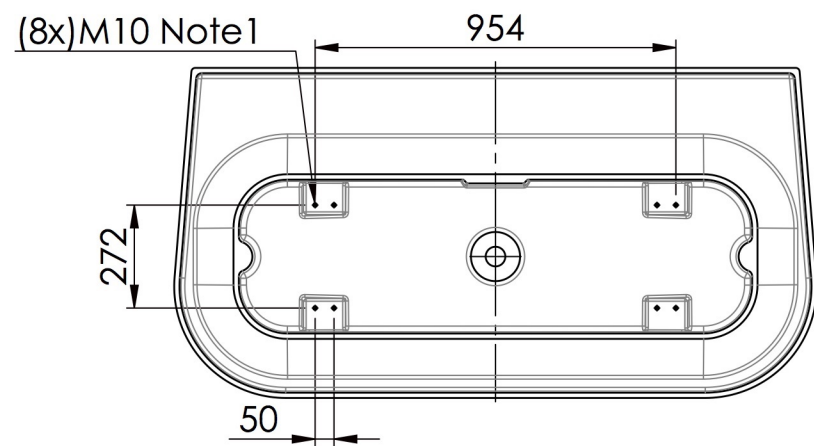


TOLERANCE $+3/-3$ mm



Bottom view



ARTE 1700