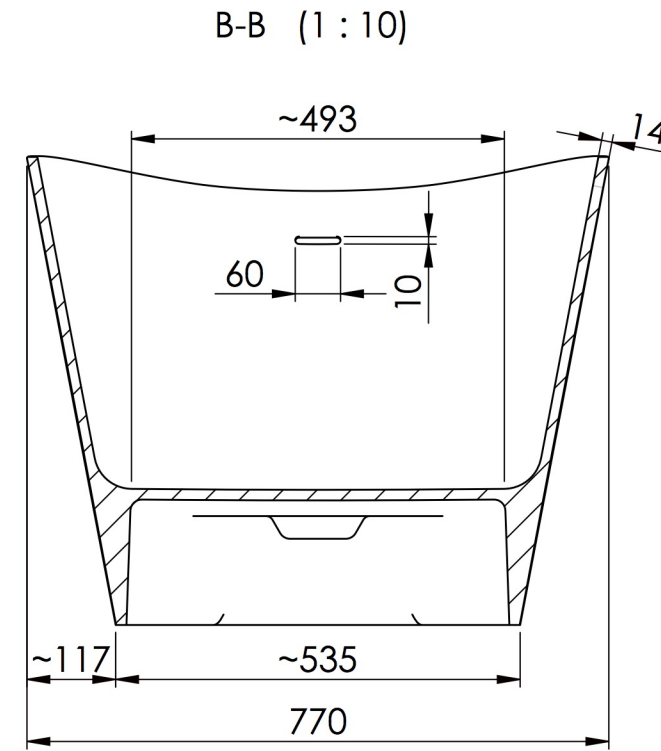
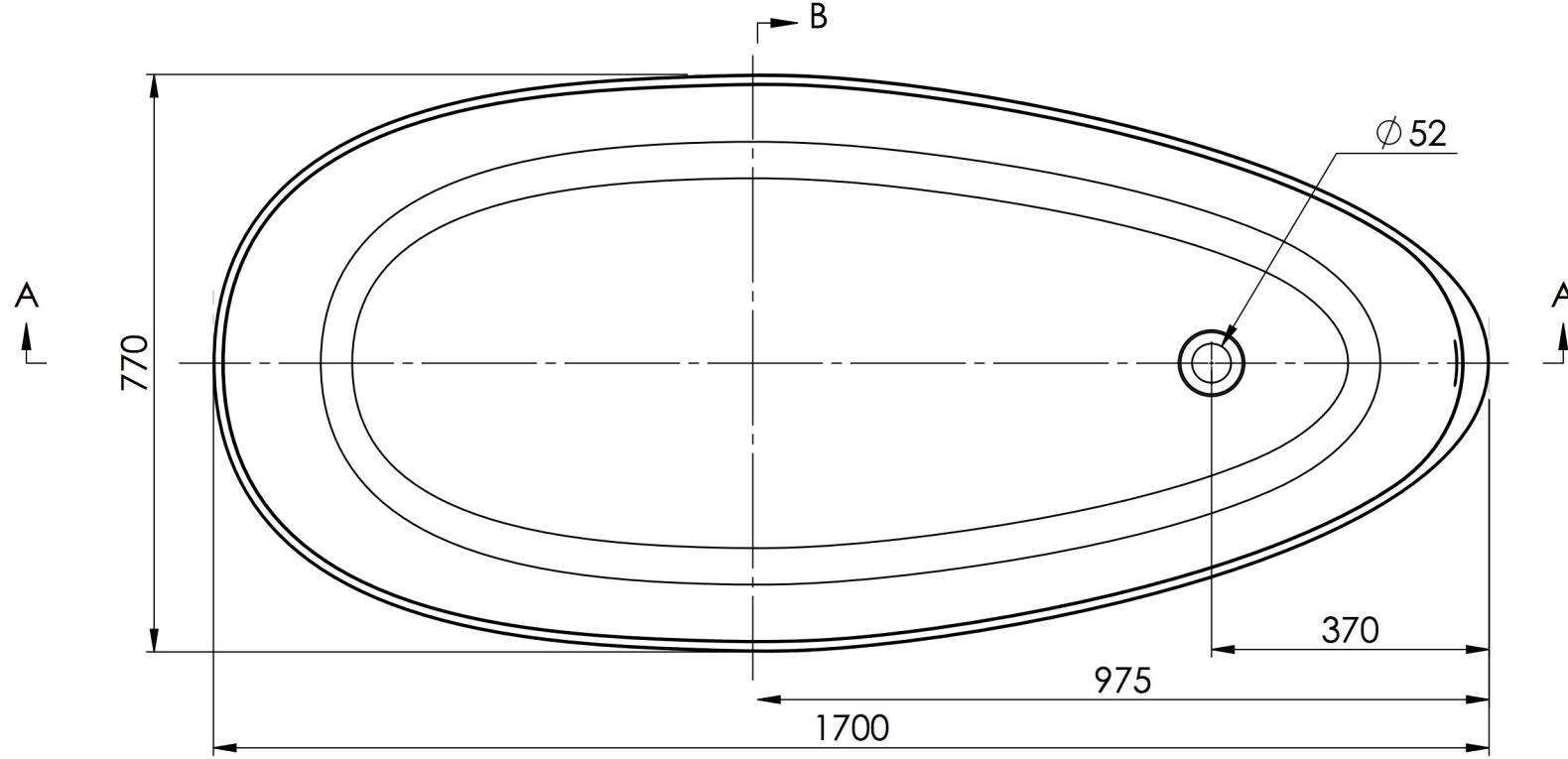
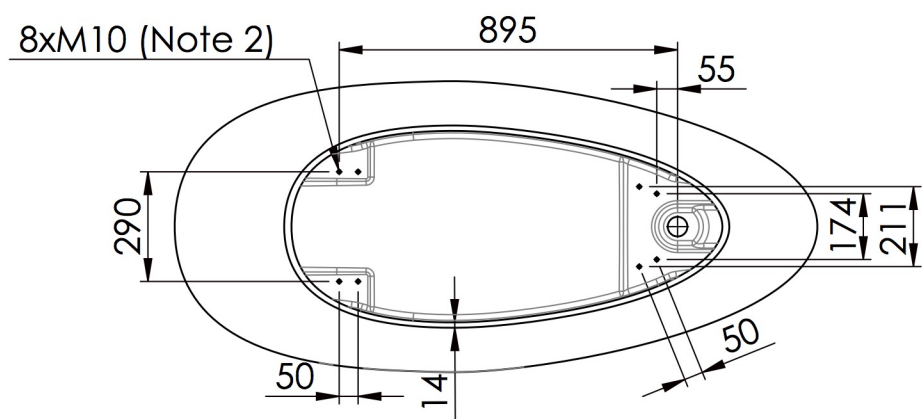


TOLERANCE: +3/-3 mm



Bottom view



AURIGA 1700 with overflow