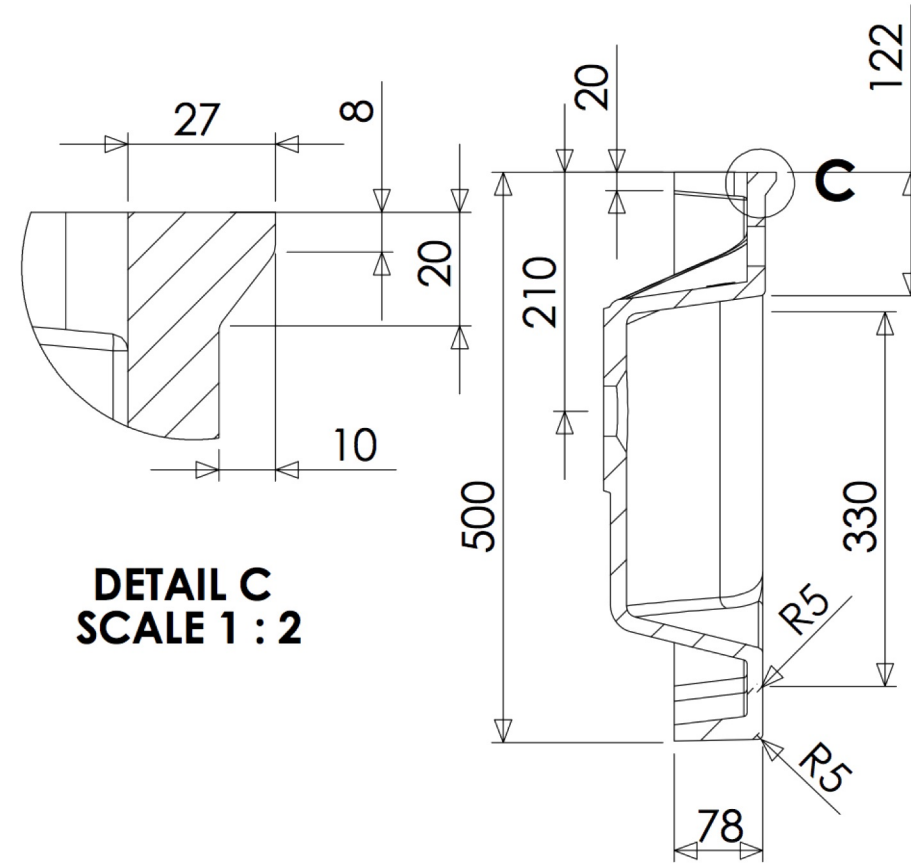
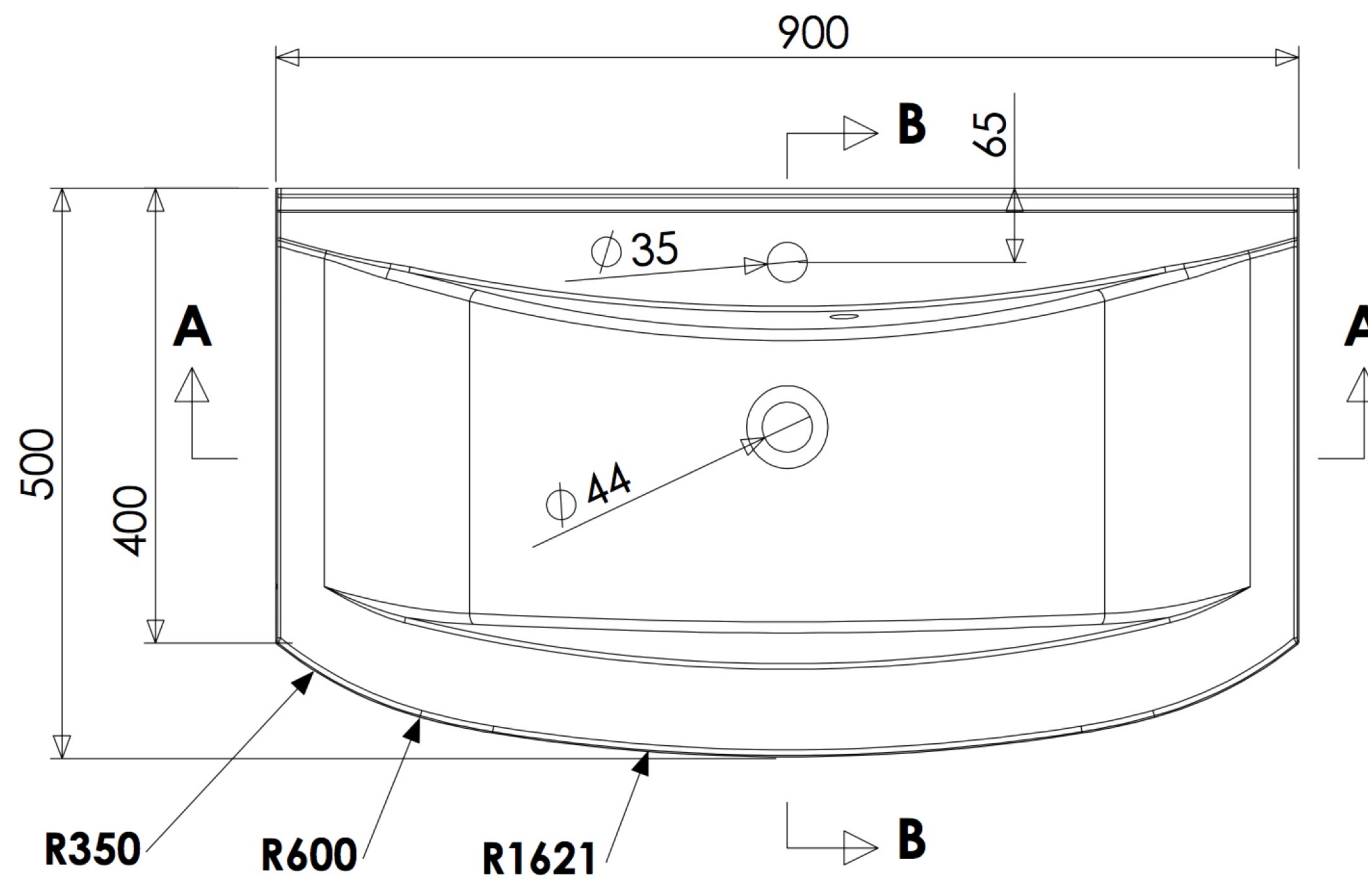


TOLERANCE: +3/-3 mm



SECTION B-B

BARI 900 C