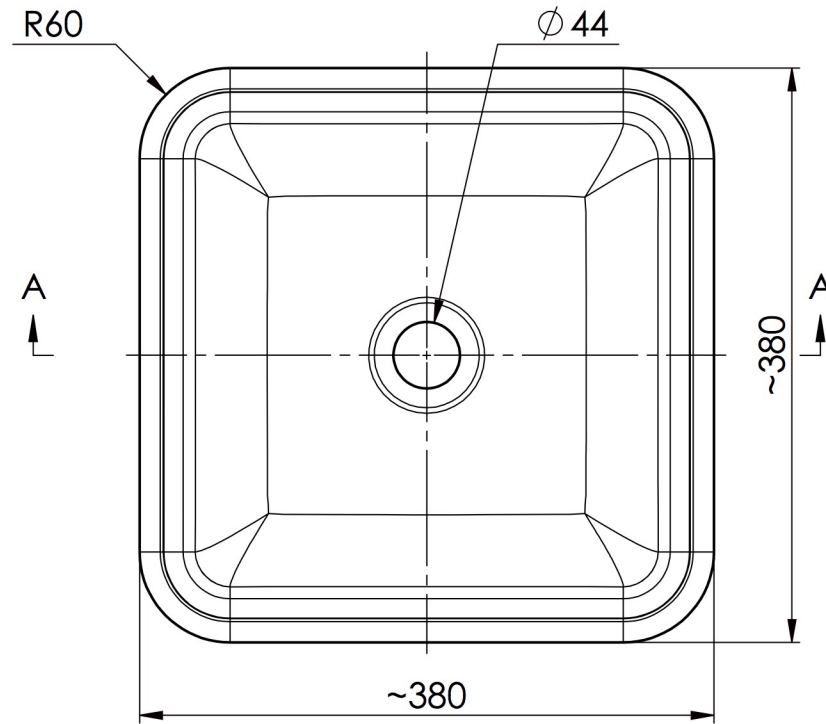
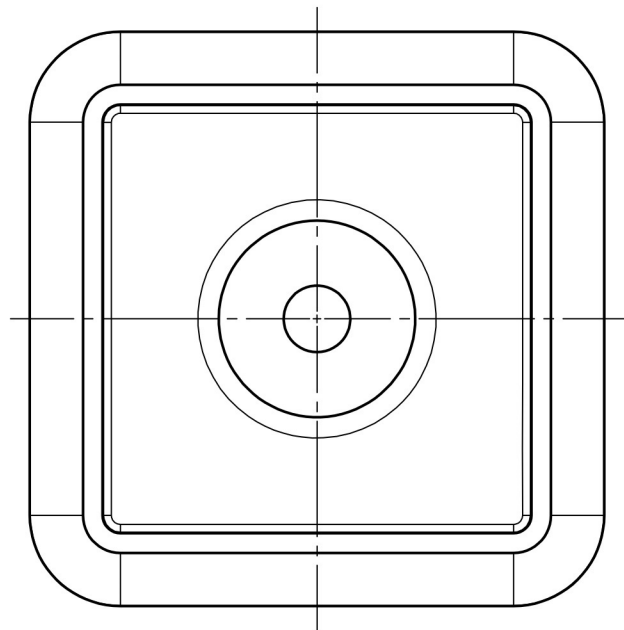


TOLERANCE: +3/-3 mm



Bottom view



CAMELO square 380