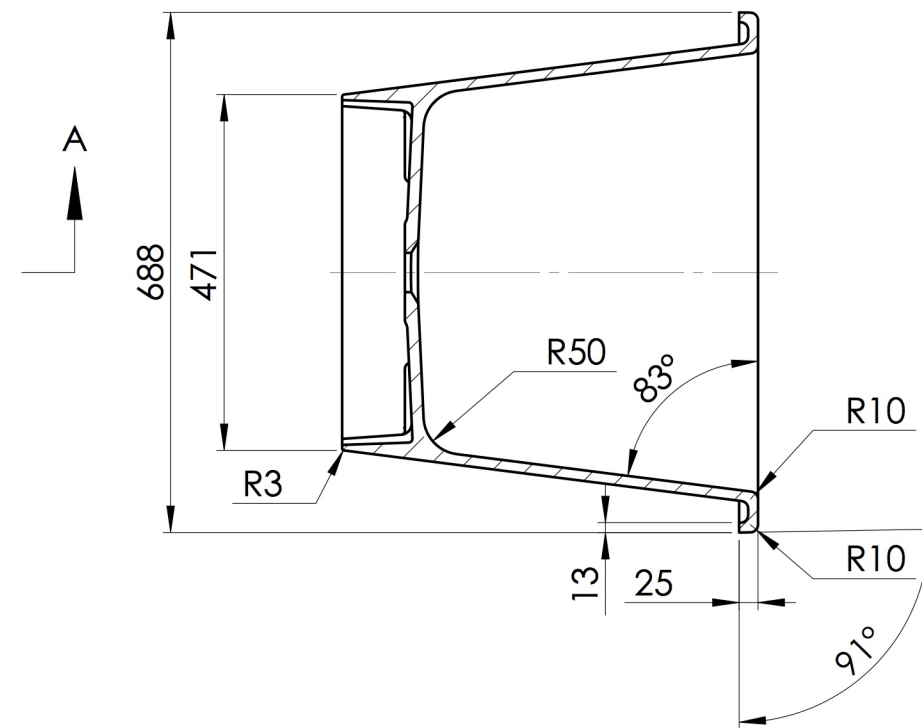
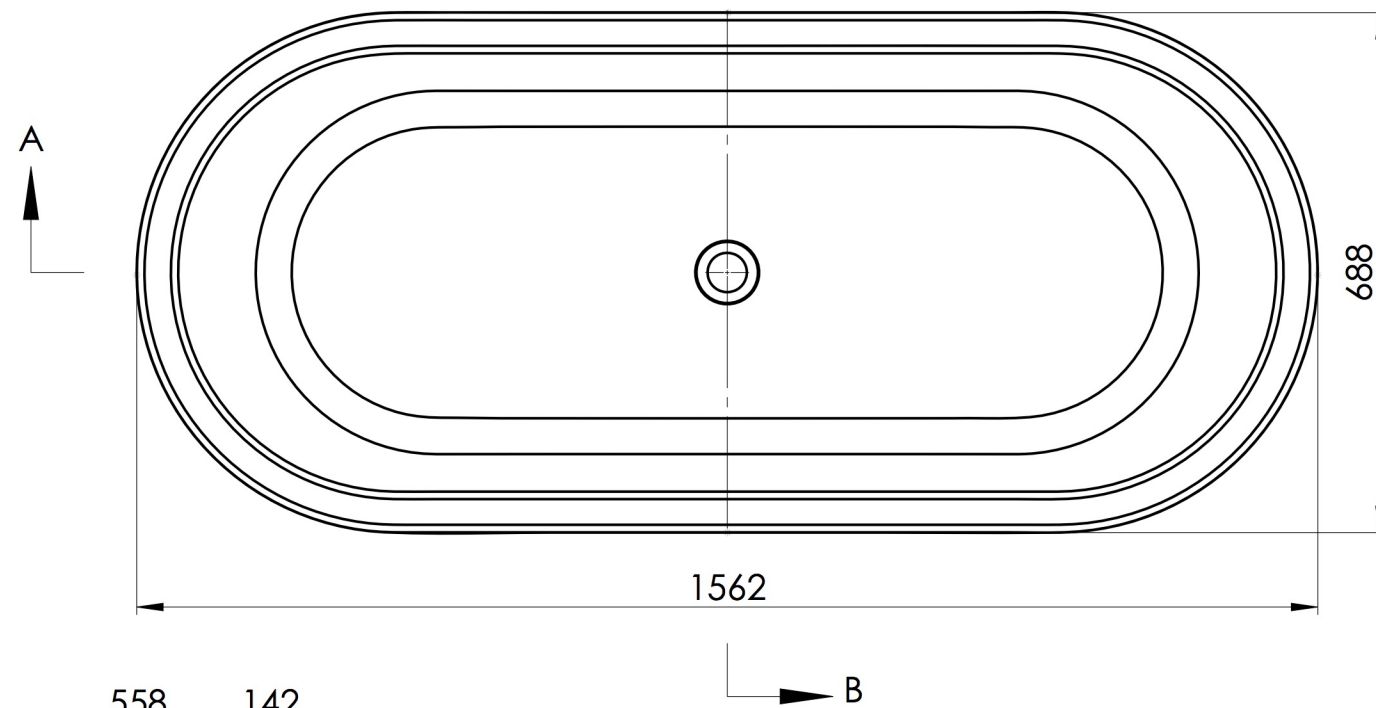
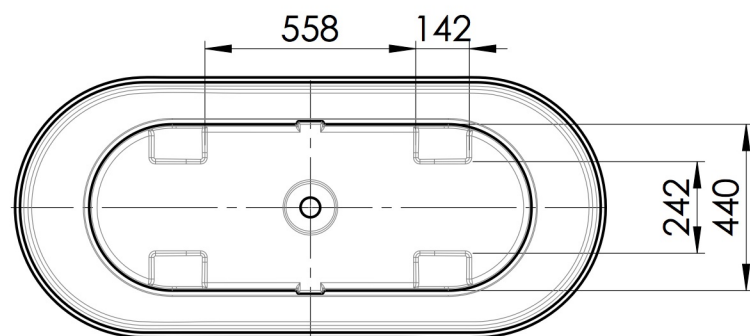


B-B



TOLERANCE: +3/-3 mm



COLUMBA 1562