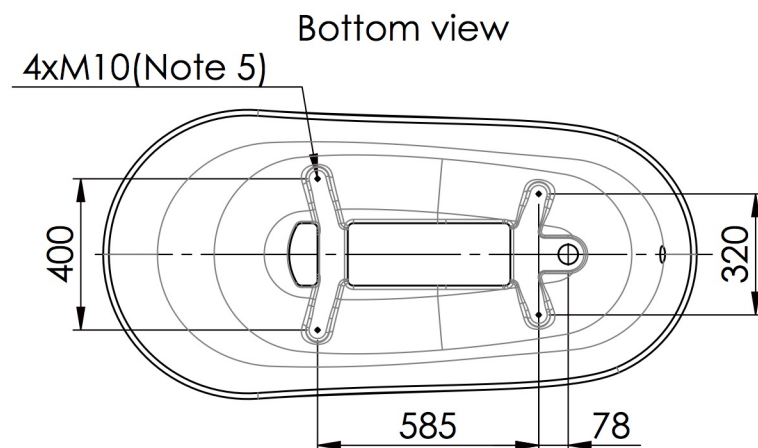
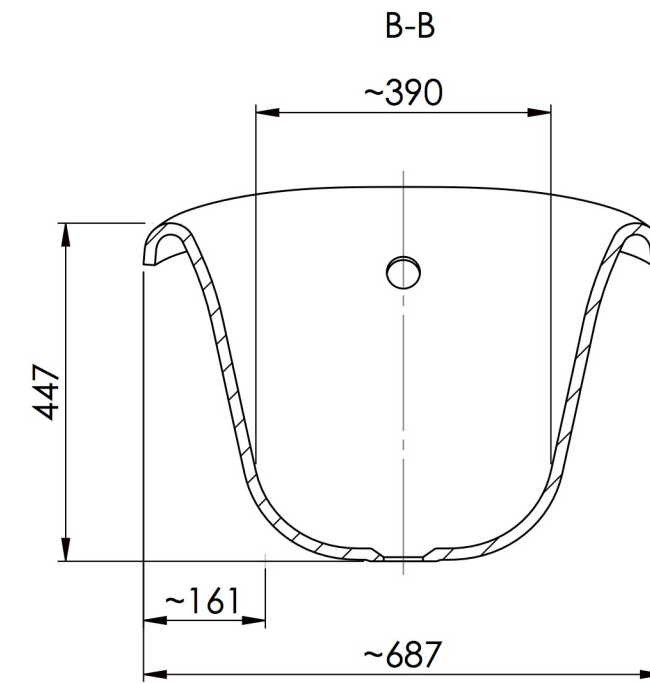
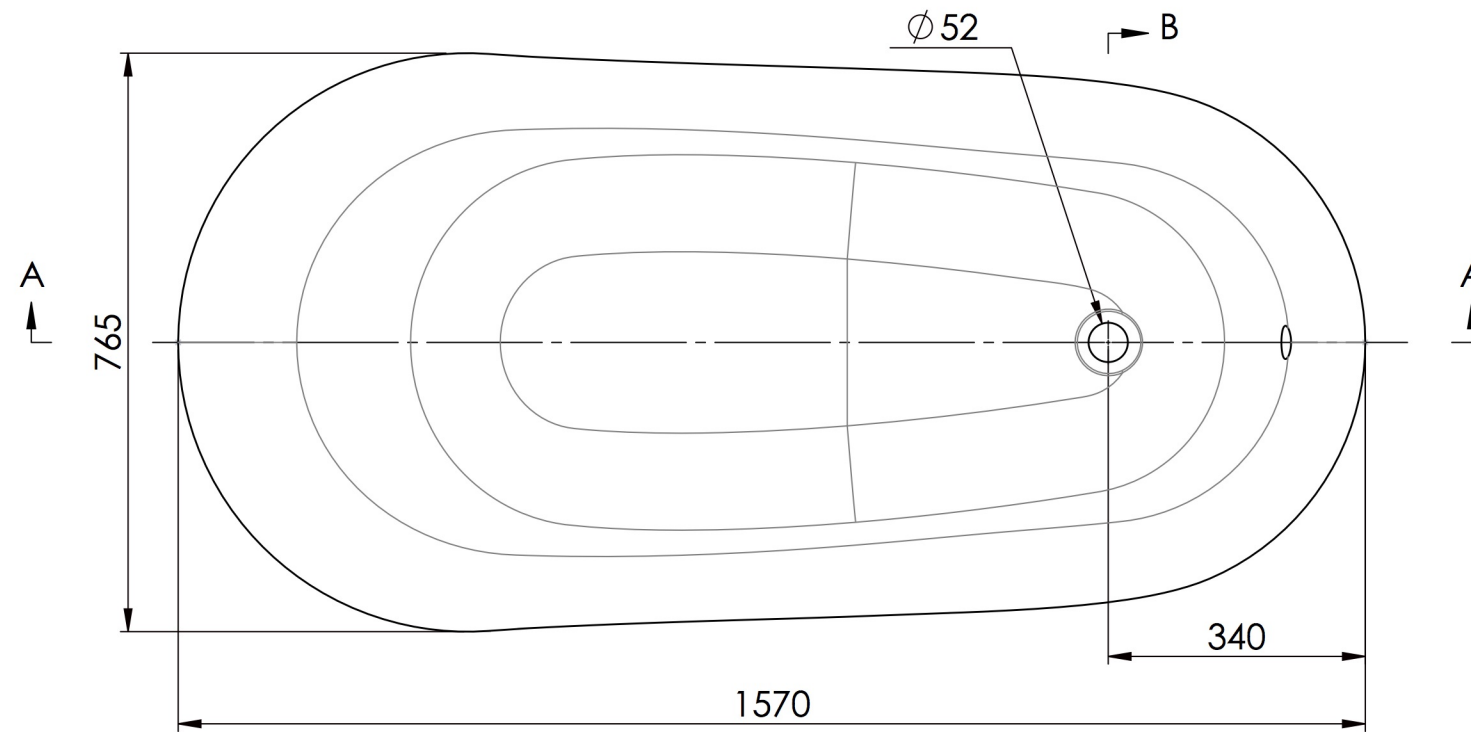


TOLERANCE: +3/-3 mm



# CORONA 1570