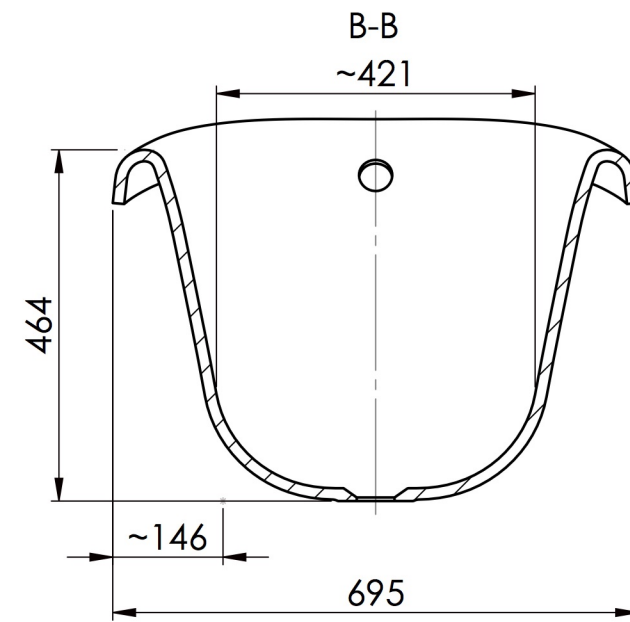
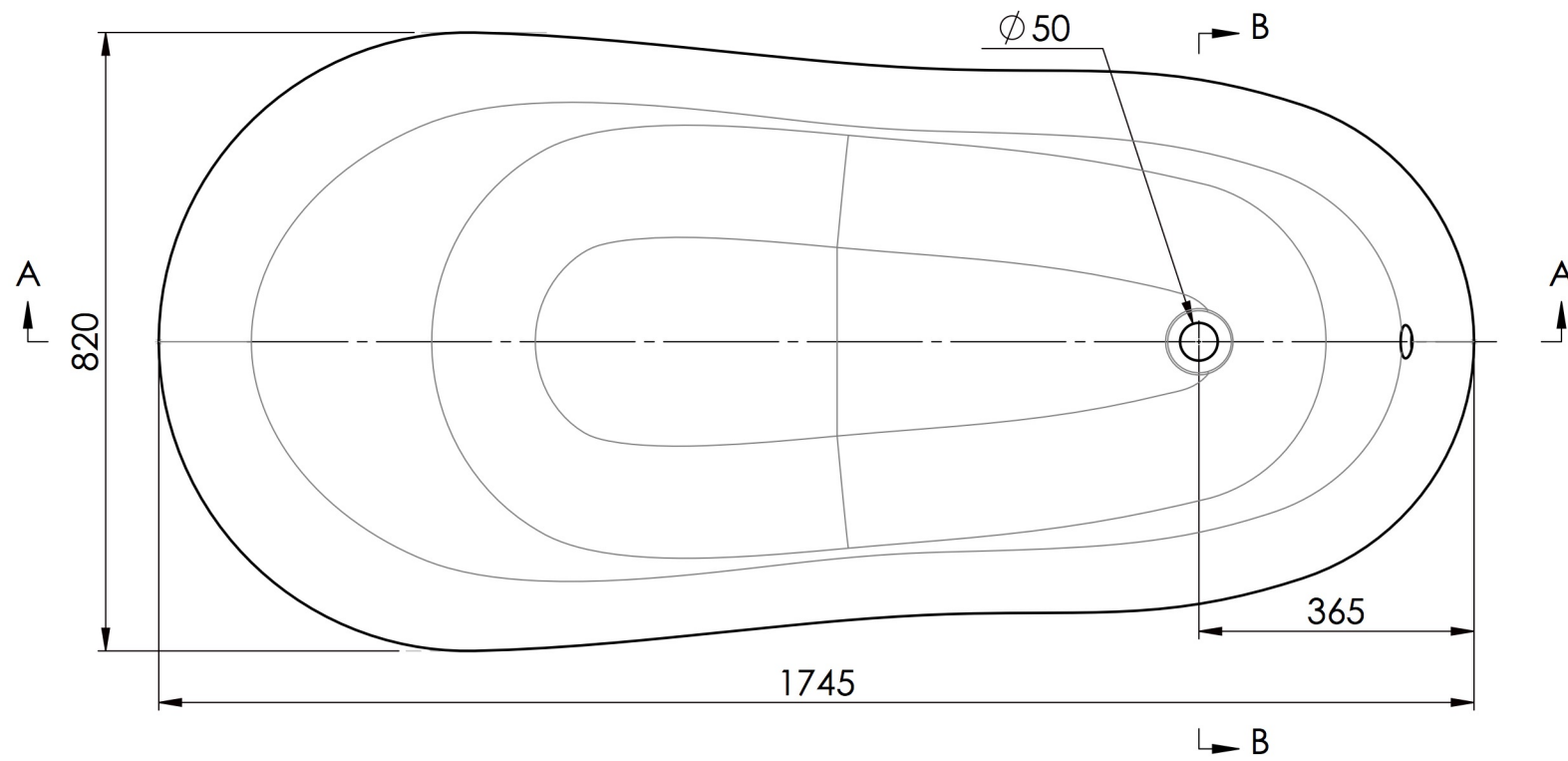
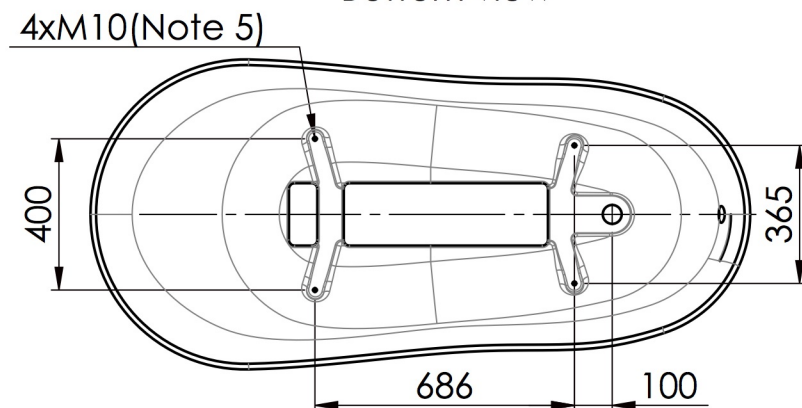


TOLERANCE +3/-3 mm



Bottom view



CORONA 1745