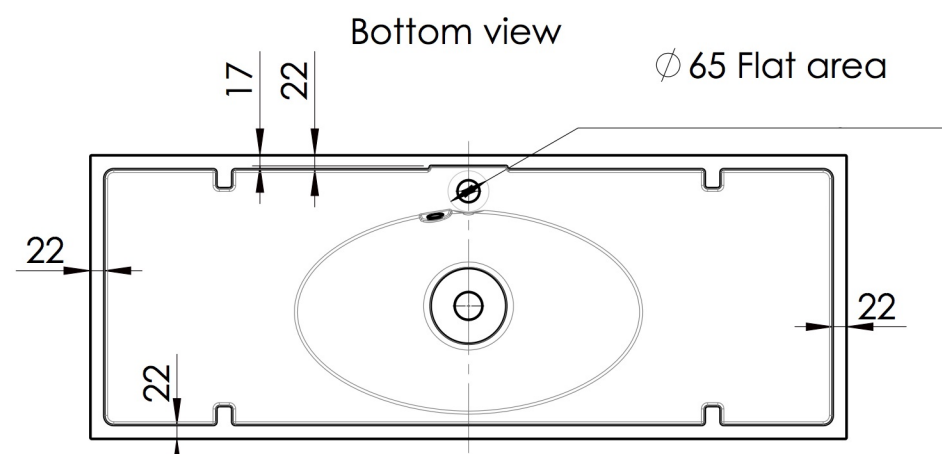


TOLERANCE +3/-3 mm



## CORSICA 1200 C