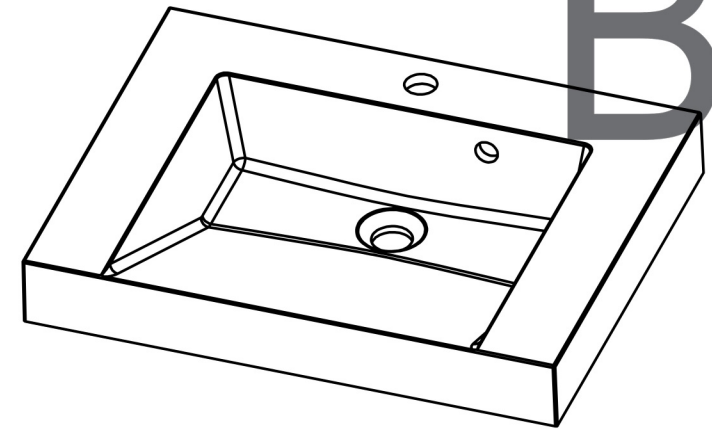
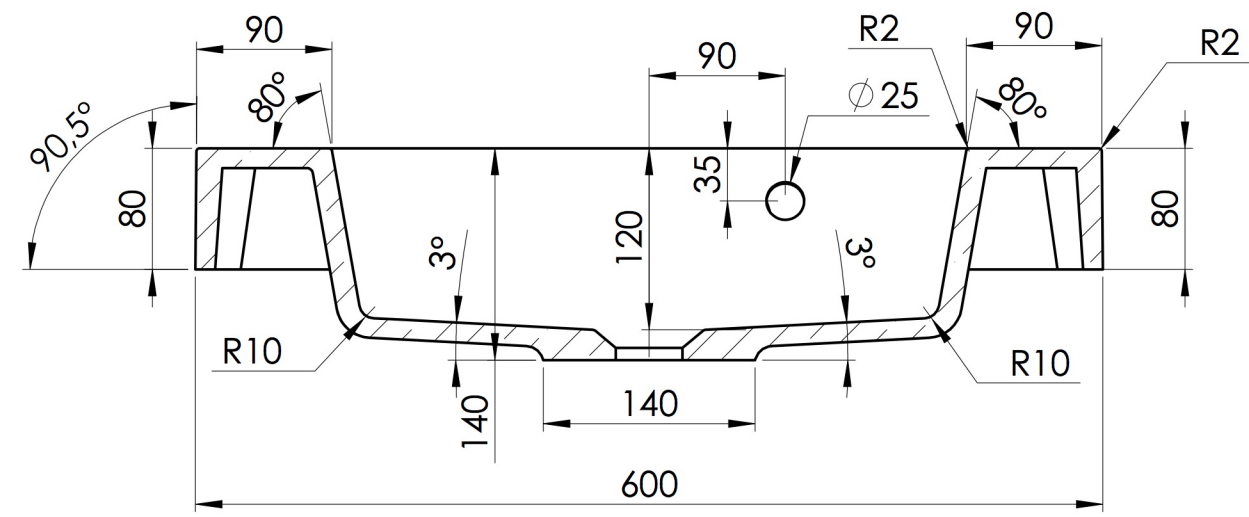
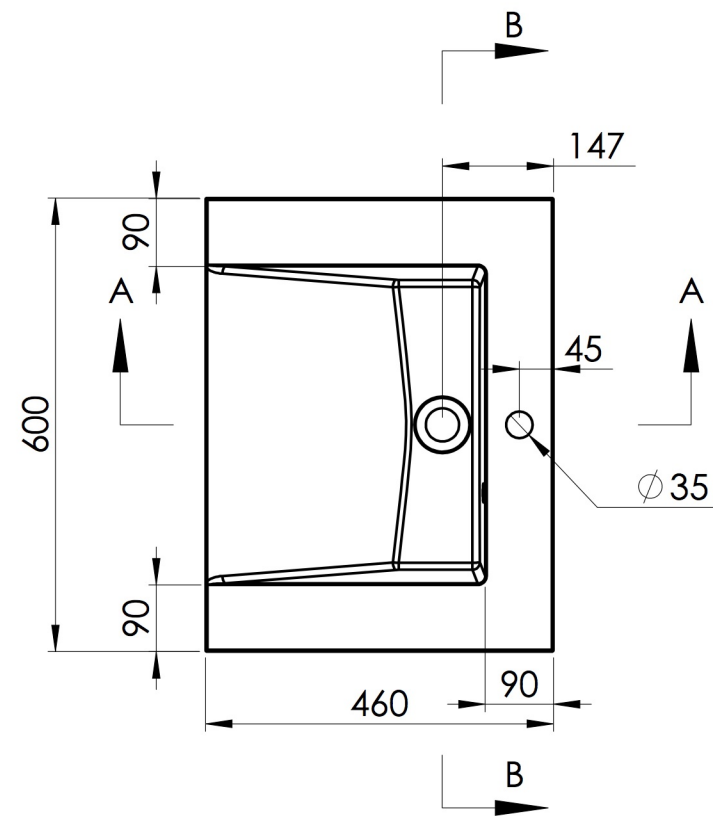


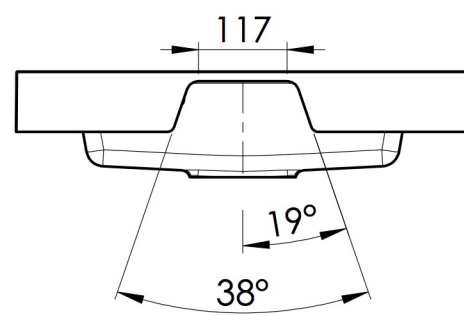
A-A (1:5)



TOLERANCE +3/-3 mm



B-B (1:5)



# FRIULI 600 C