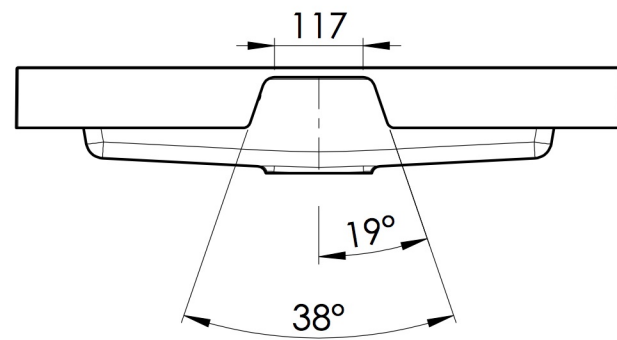
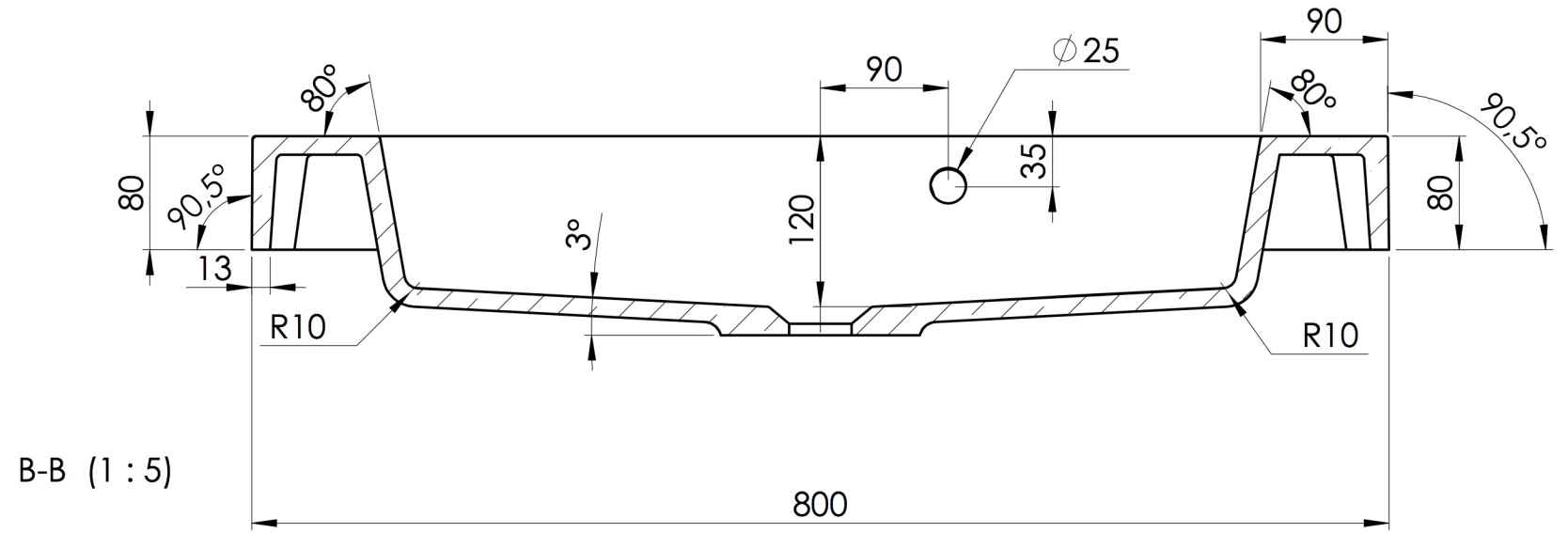
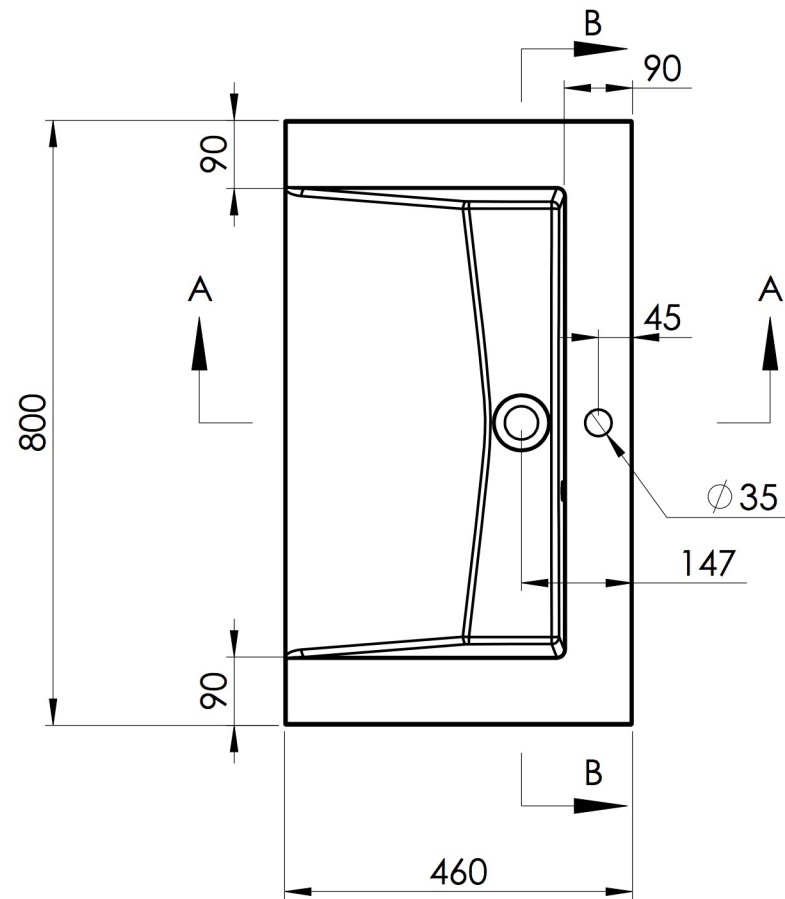


TOLERANCE +3/-3 mm



FRIULI 800 C