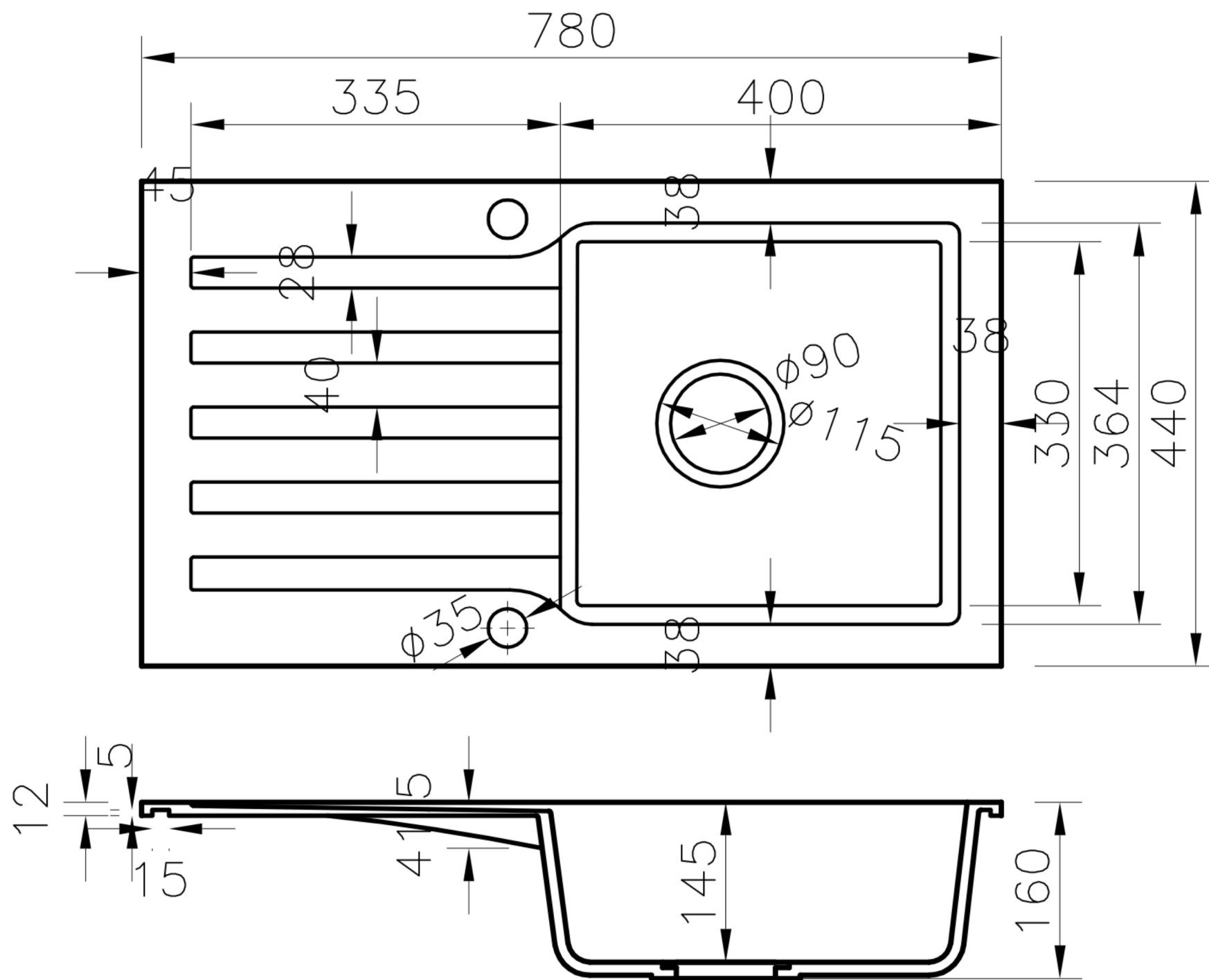


TOLERANCE +3/-3 mm



GARD 780