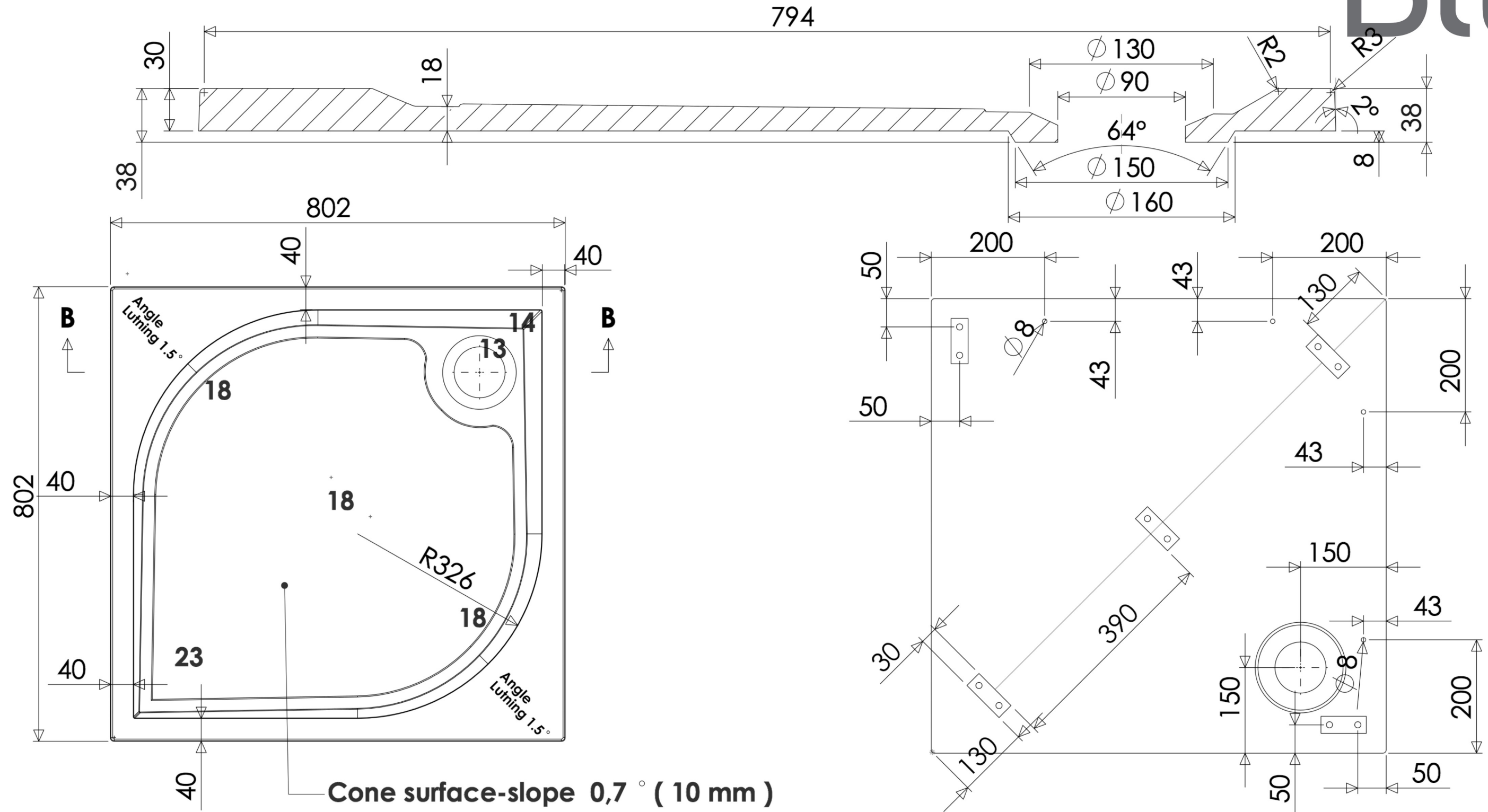


TOLERANCE: +3/-3 mm



**GRUS 800 x 800**