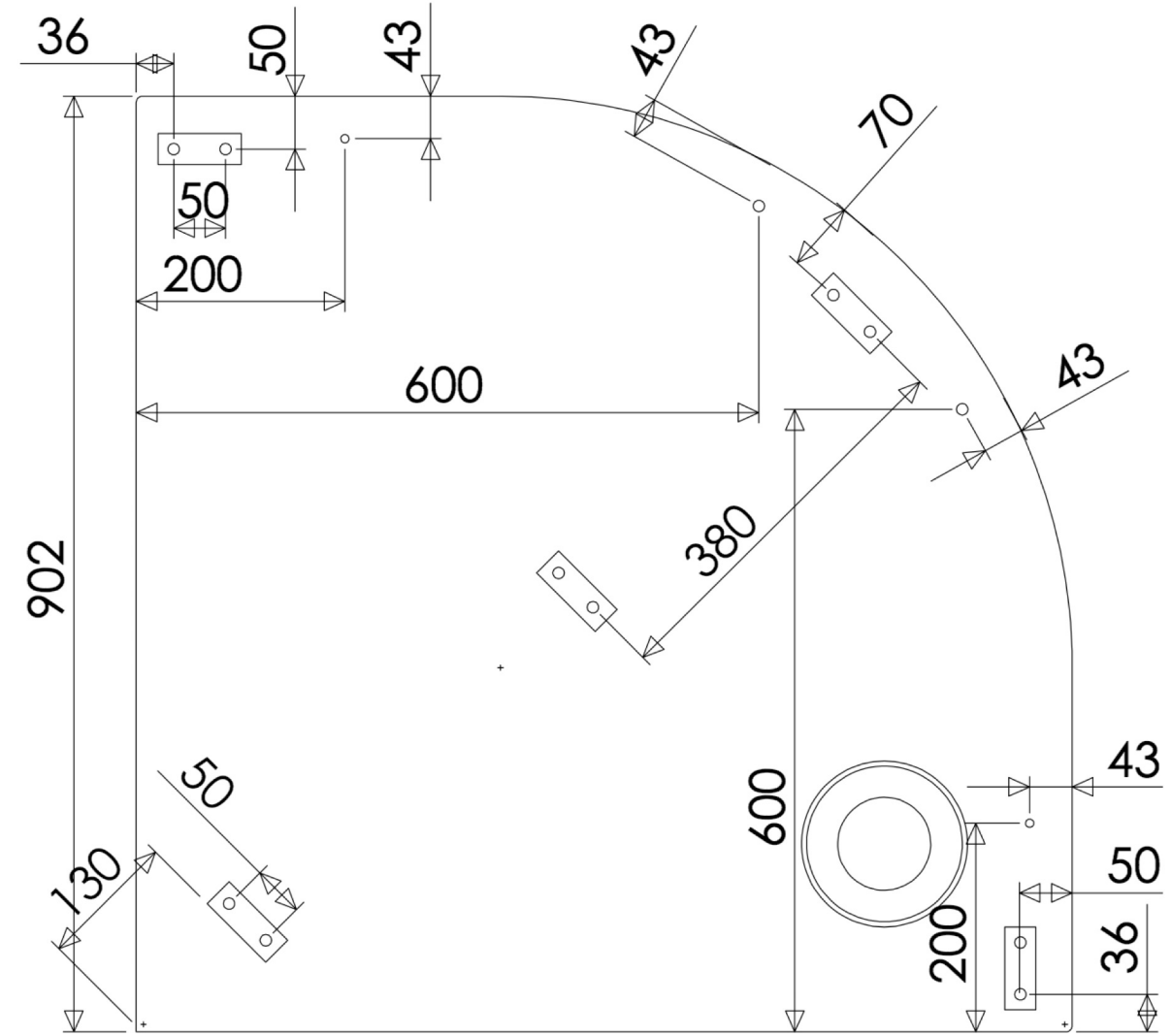
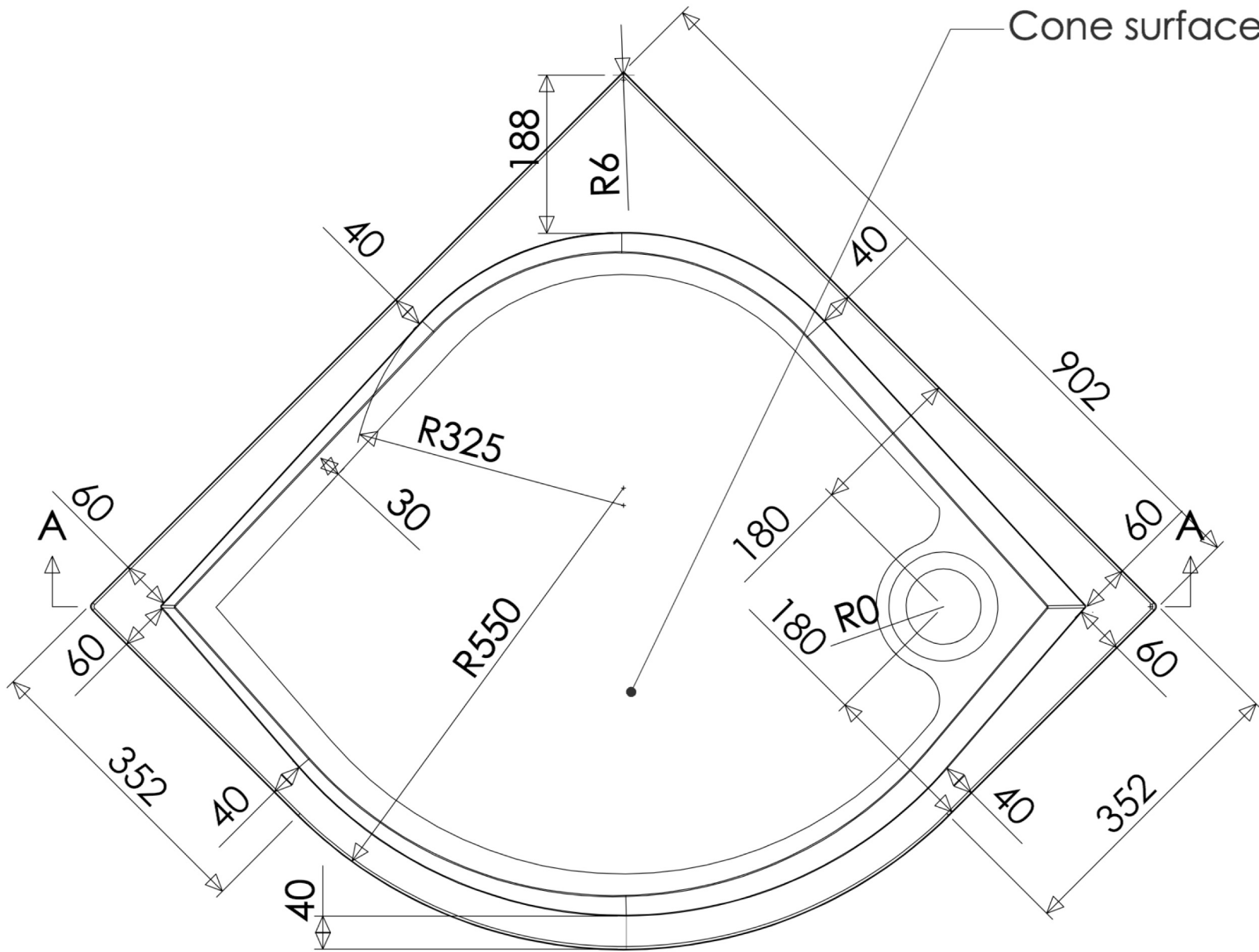


Cone surface-slope 0,7 ° (10 mm)

TOLERANCE: +3/-3 mm



GRUS 900 x 900 R550