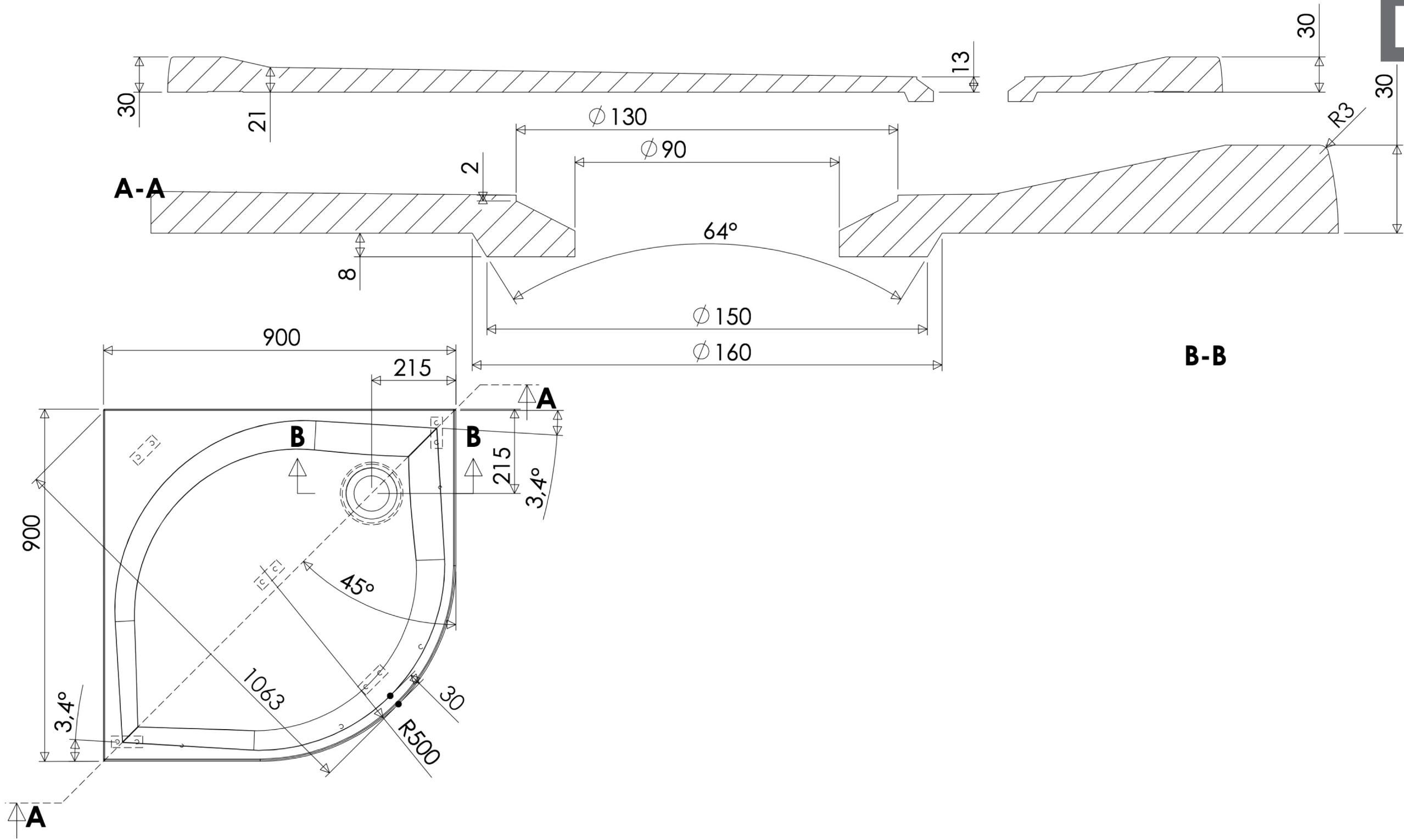


TOLERANCE: +3/-3 mm



GRUS round 900 x 900 R500