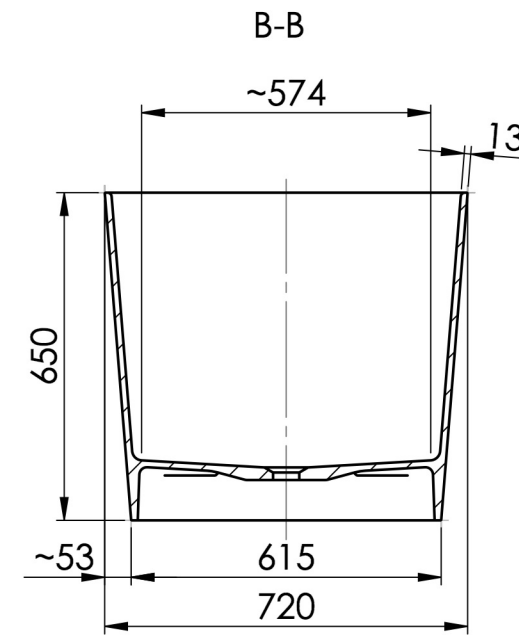
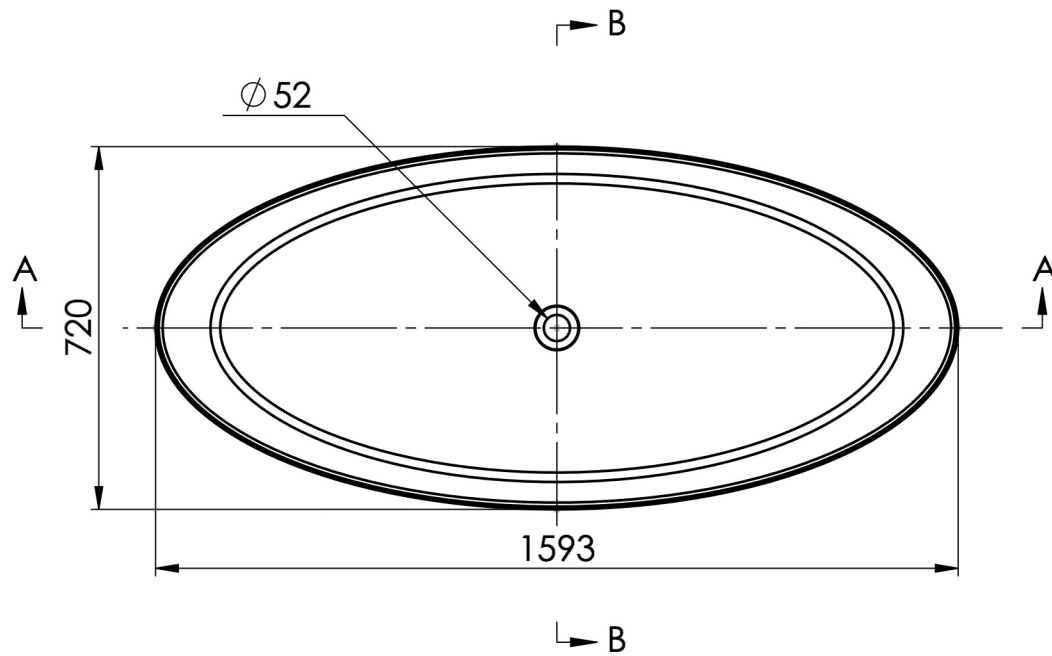
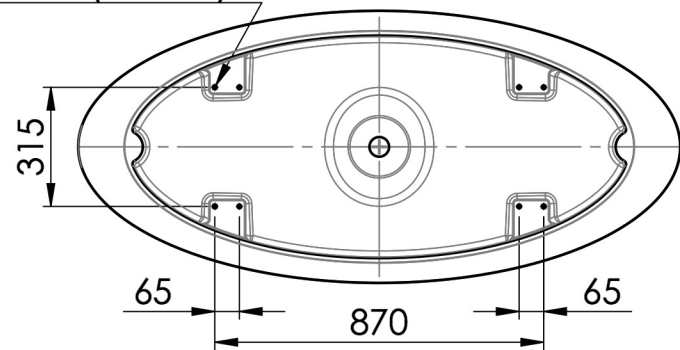


TOLERANCE +3/-3 mm



Bottom view

8xM10(Note 2)



HYDRA 1593