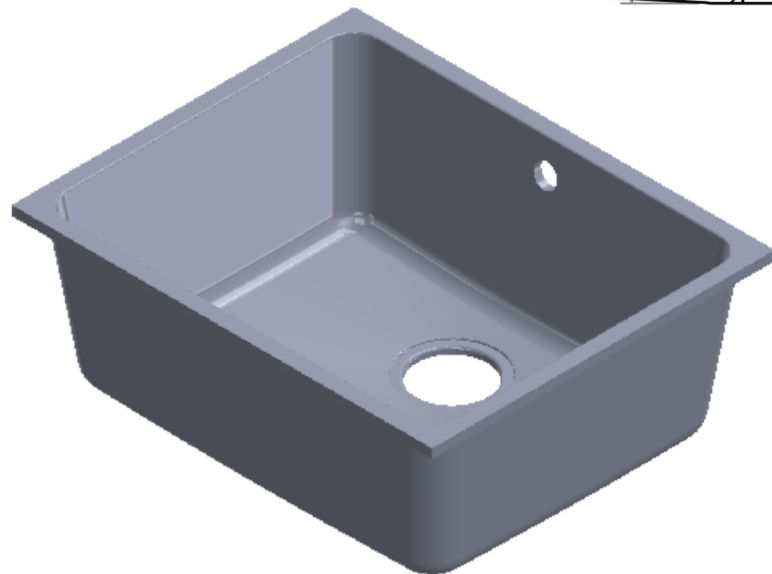
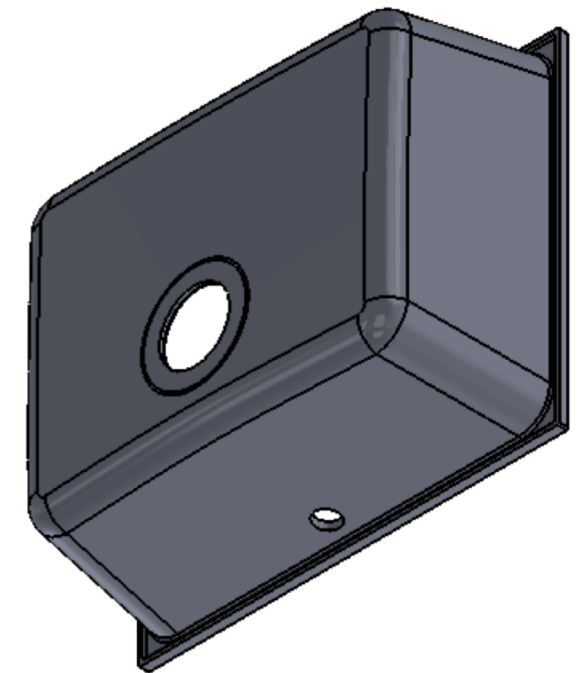
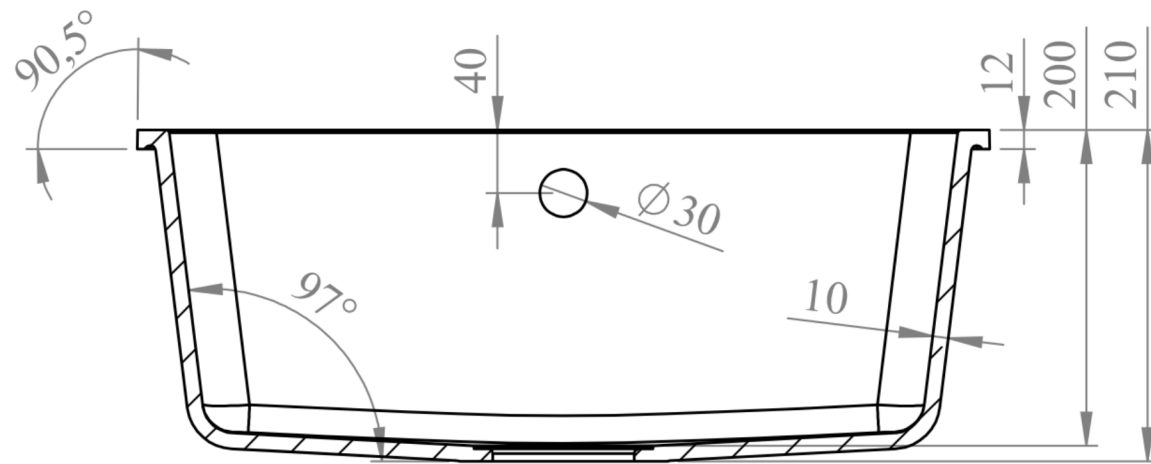


TOLERANCE +3/-3 mm



ISEO 540