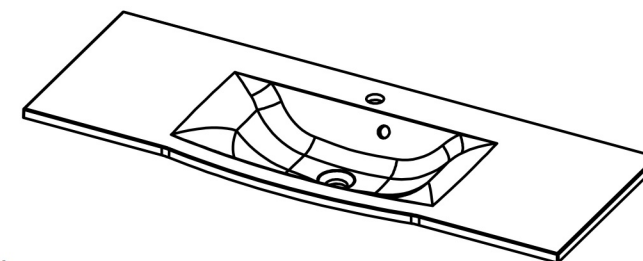
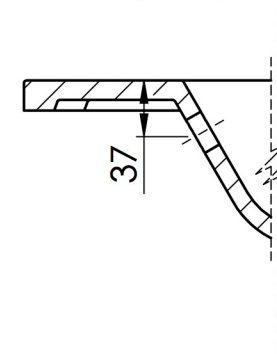
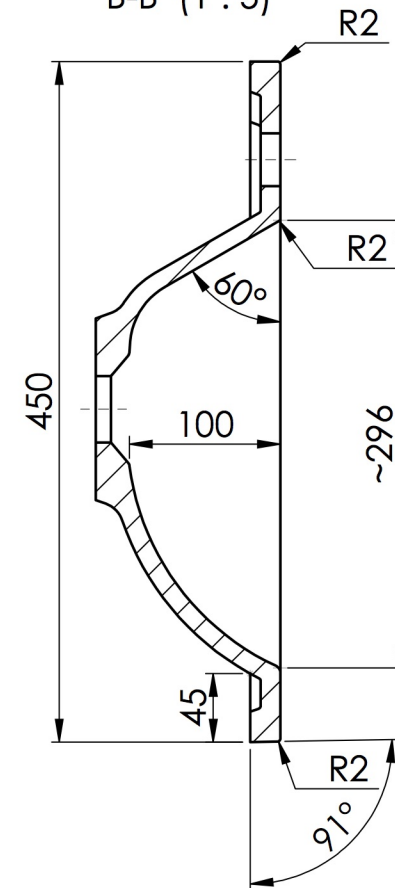


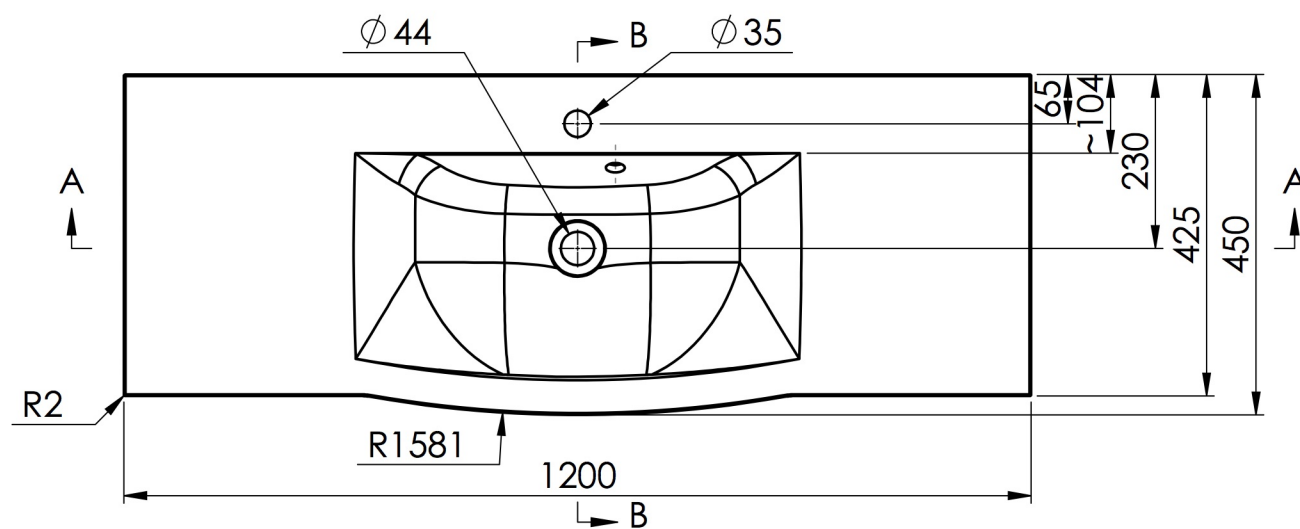
C-C (1:5)



B-B (1:5)

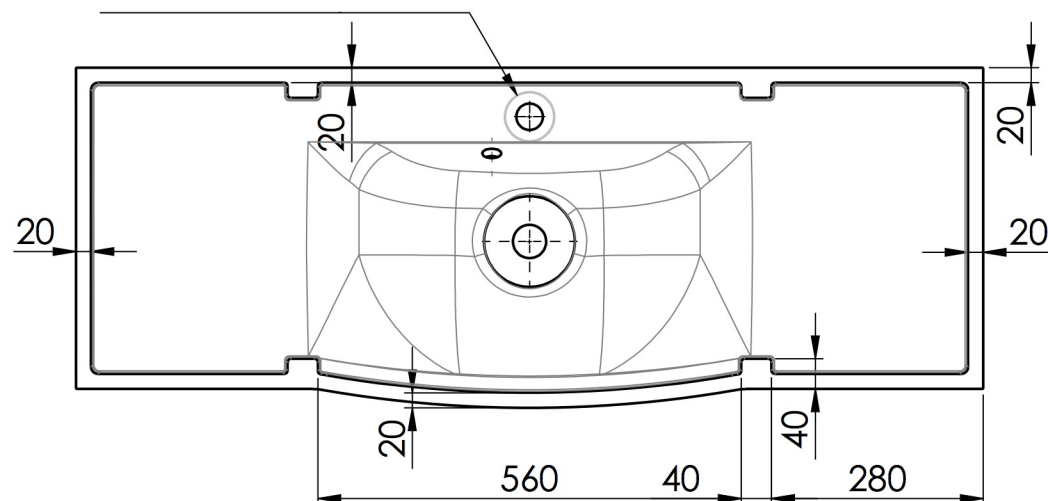


TOLERANCE +3/-3 mm



Ø 65 Flat area

Bottom view



## JESI 1200 C