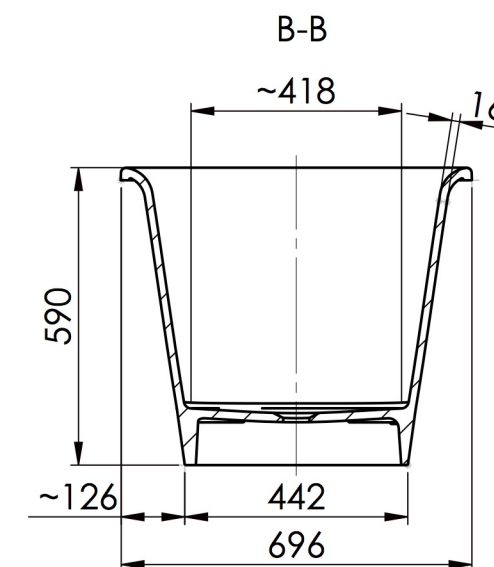
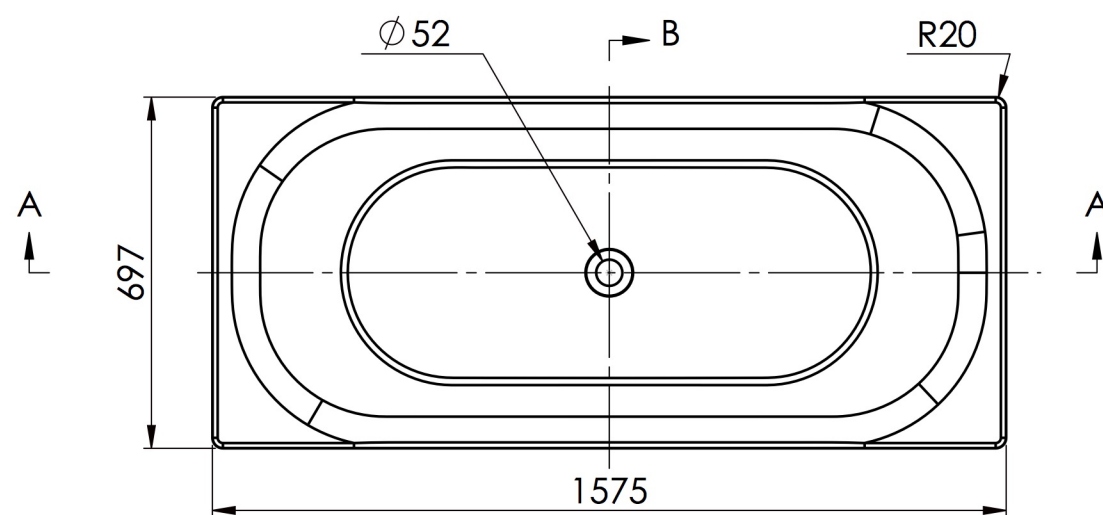
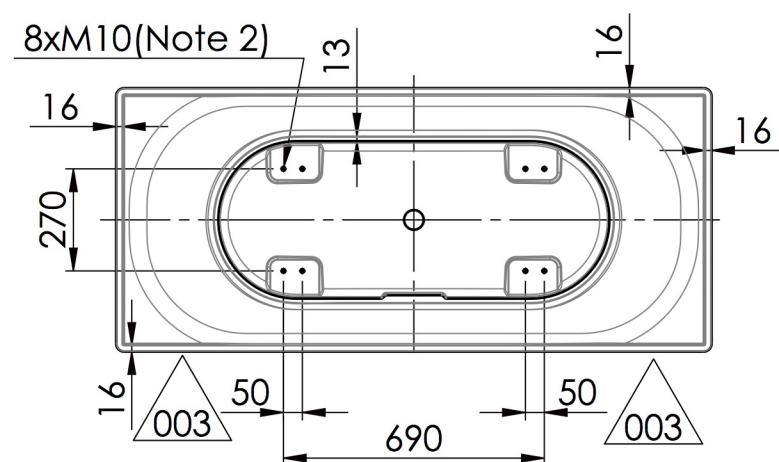


TOLERANCE +3/-3 mm



Bottom view



LACERTA 1575