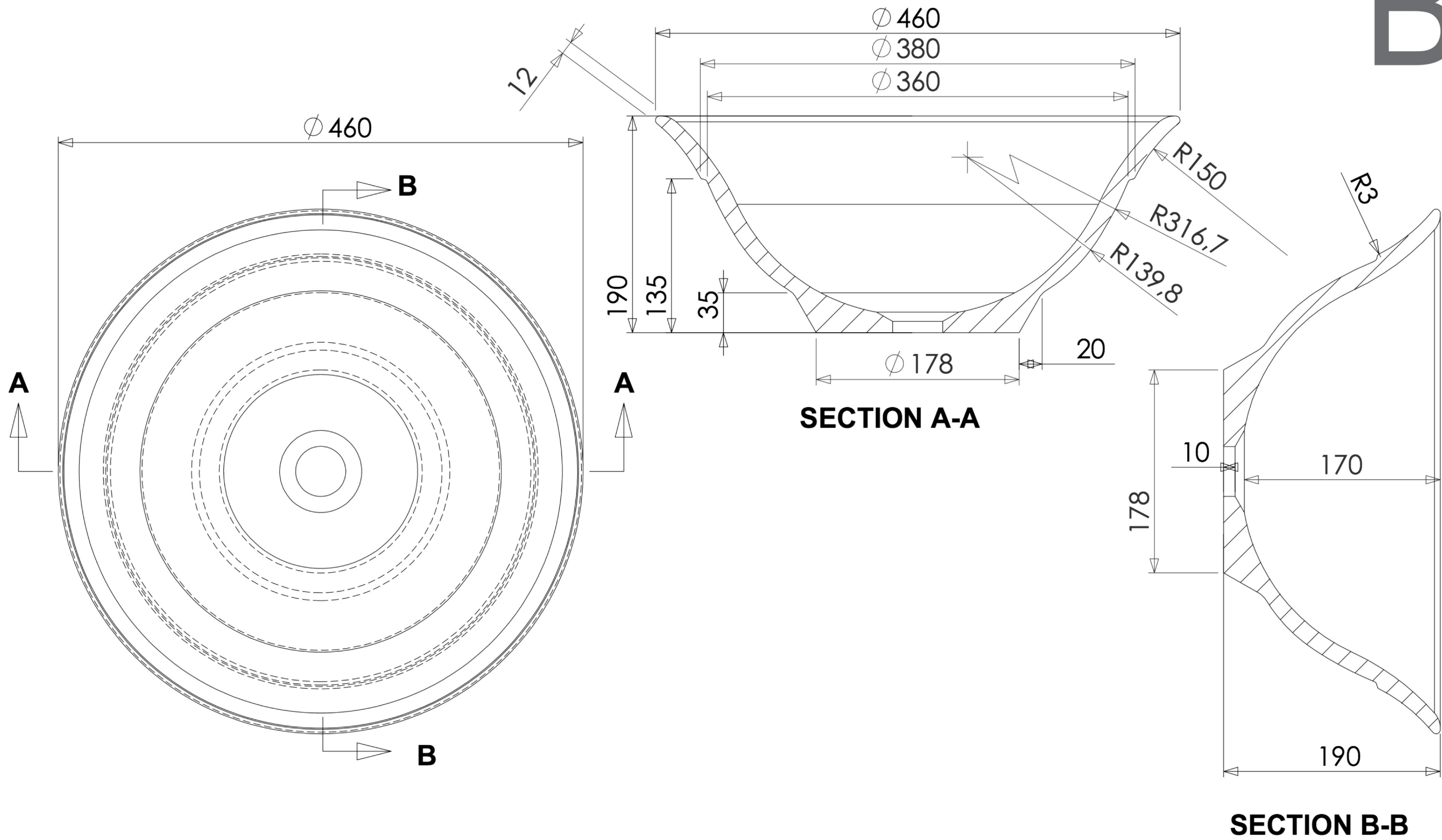


TOLERANCE: +3/-3 mm



LATINA 460 C