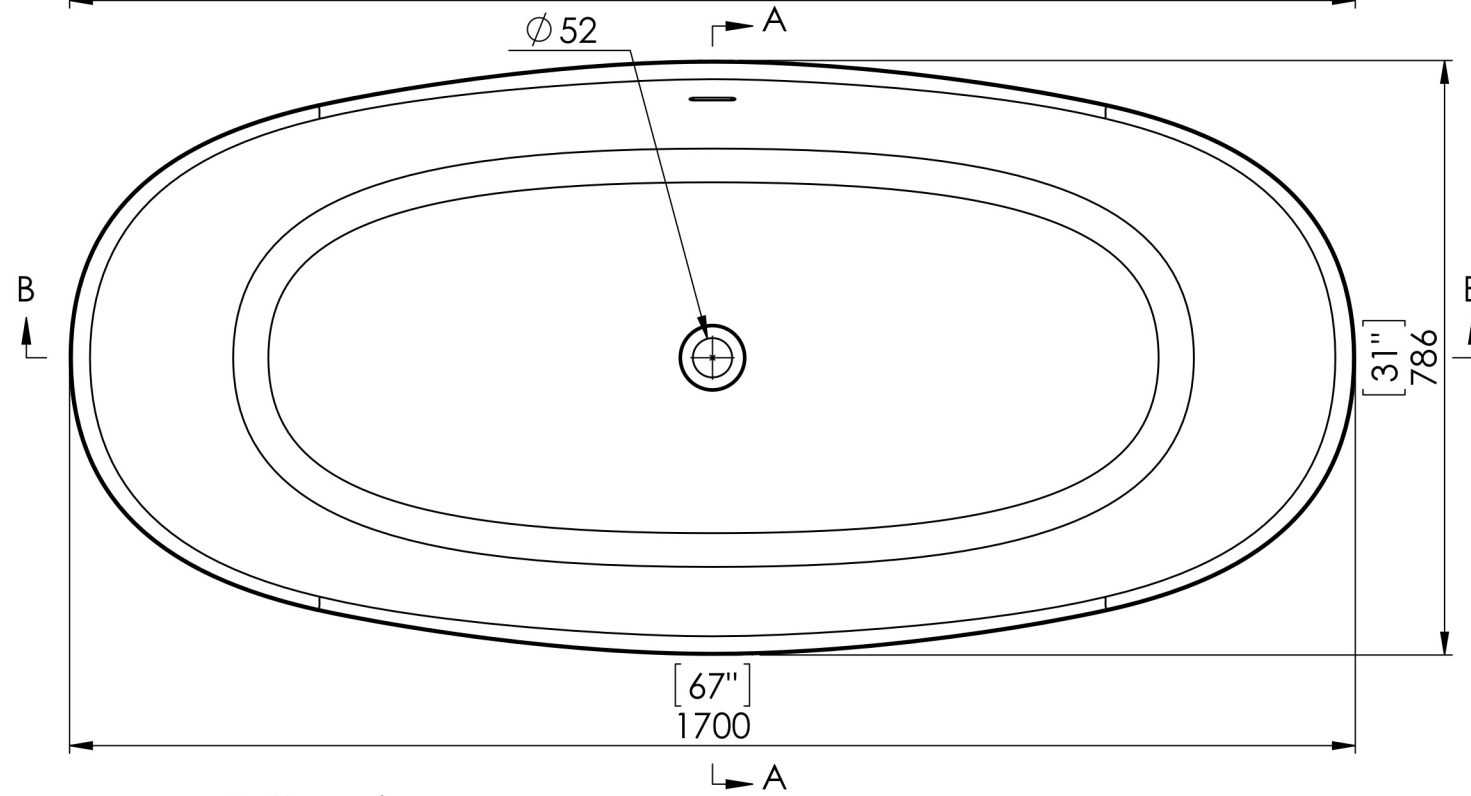
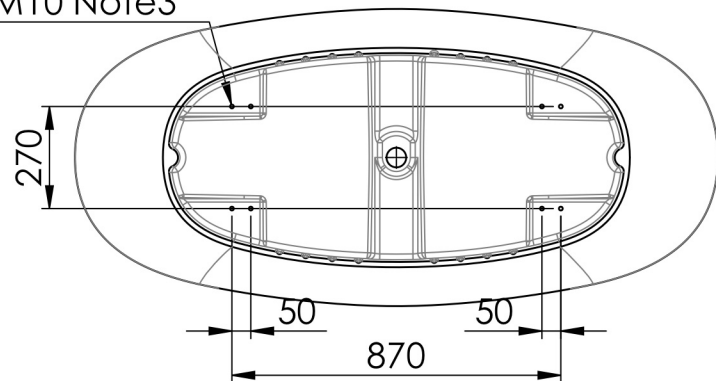


TOLERANCE +3/-3 mm



Bottom view

8xM10 Note3



# LIBRA 1700