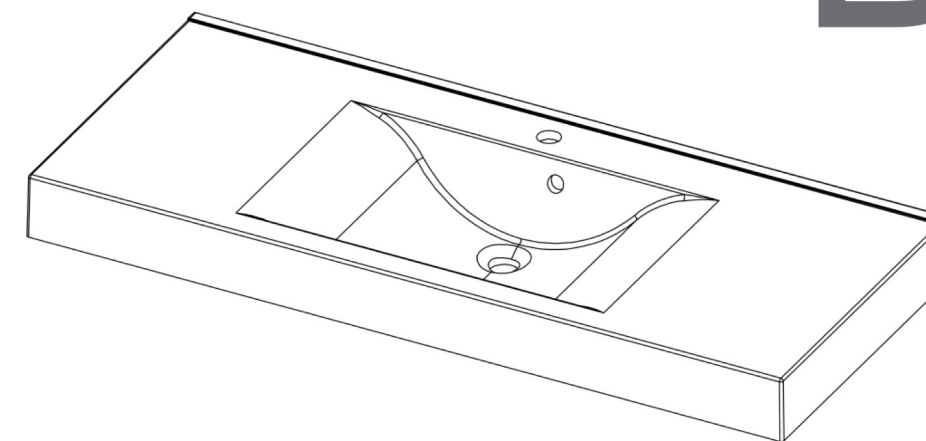
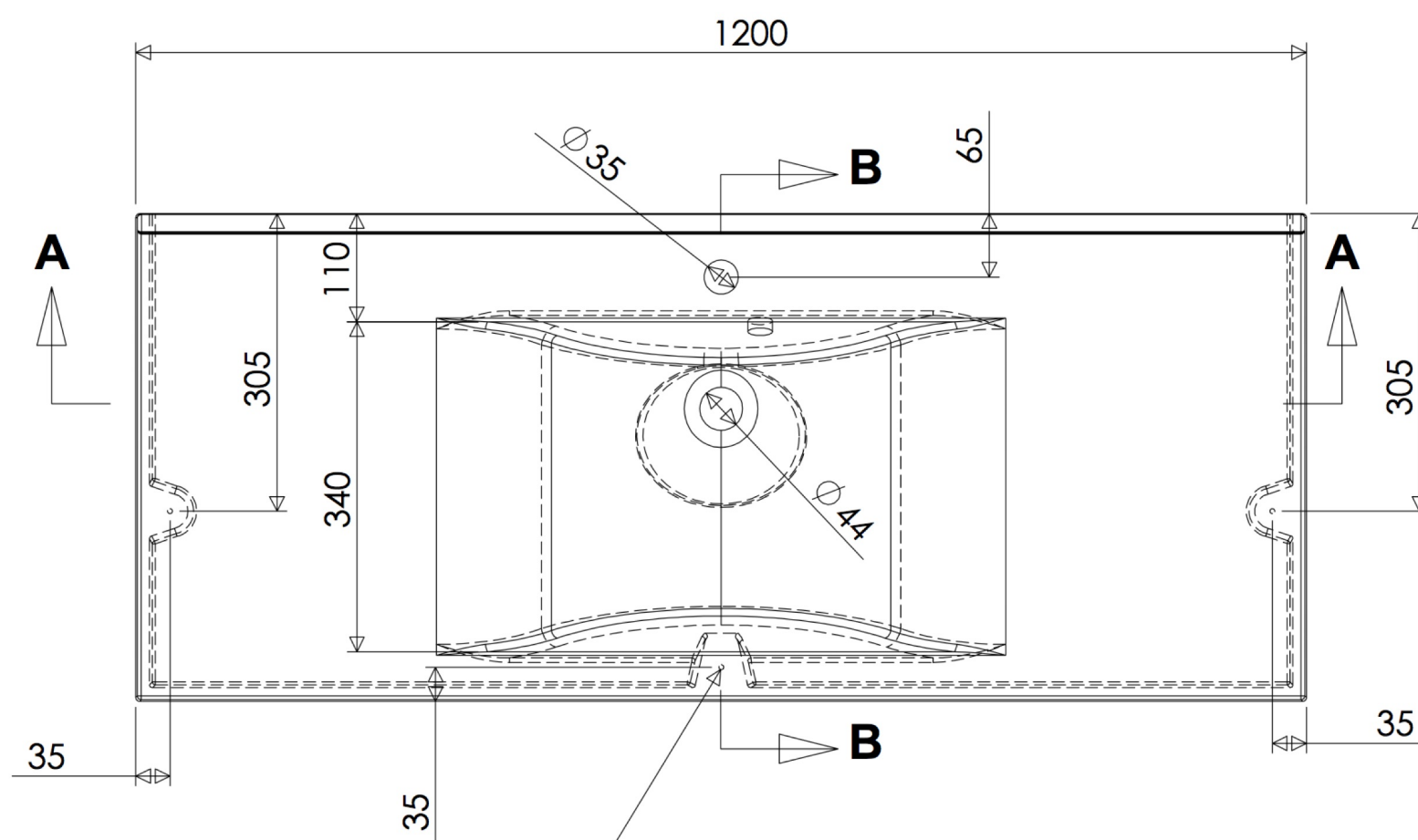


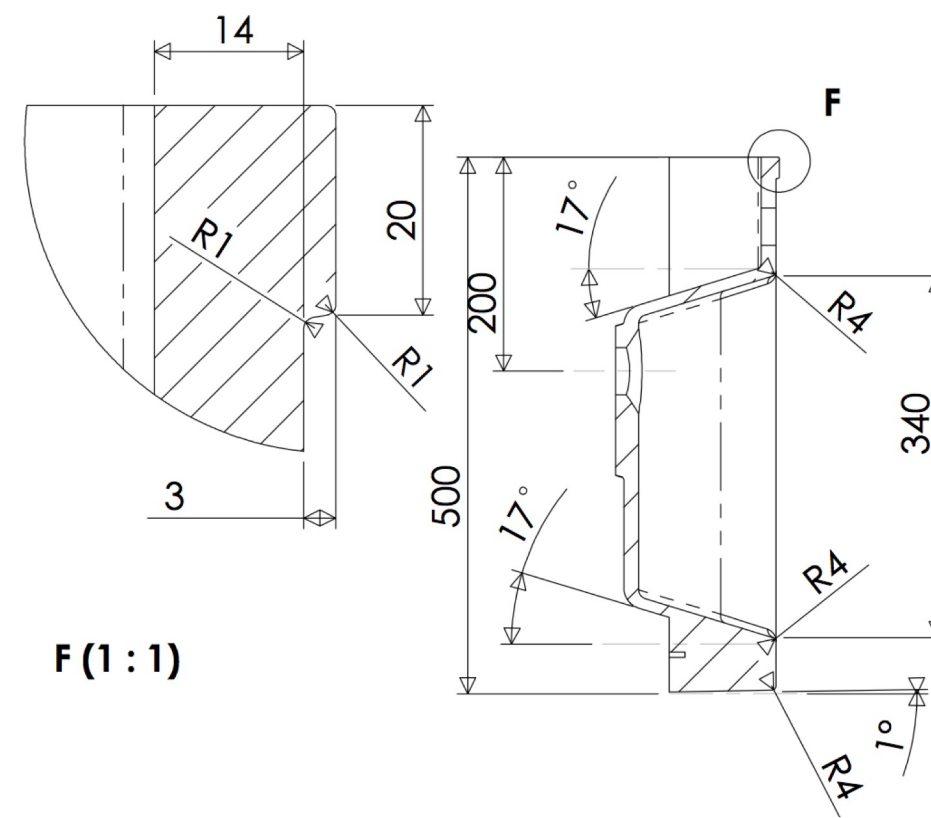
**A-A**



TOLERANCE +3/-3 mm



Nylonbussning M5 (3x)



**F(1:1)**

**B-B**

# LYRA 1200 C