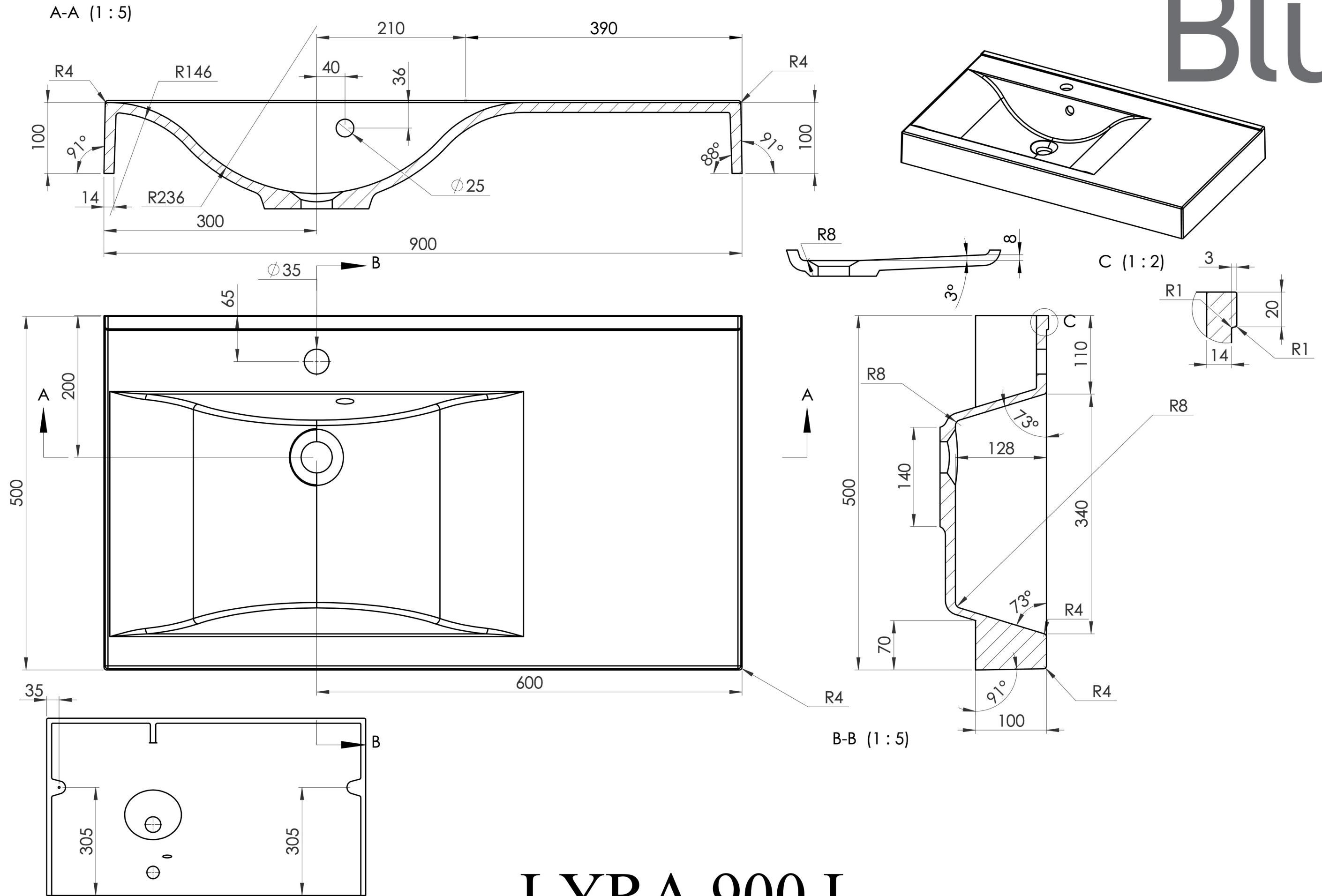


TOLERANCE +3/-3 mm



LYRA 900 L