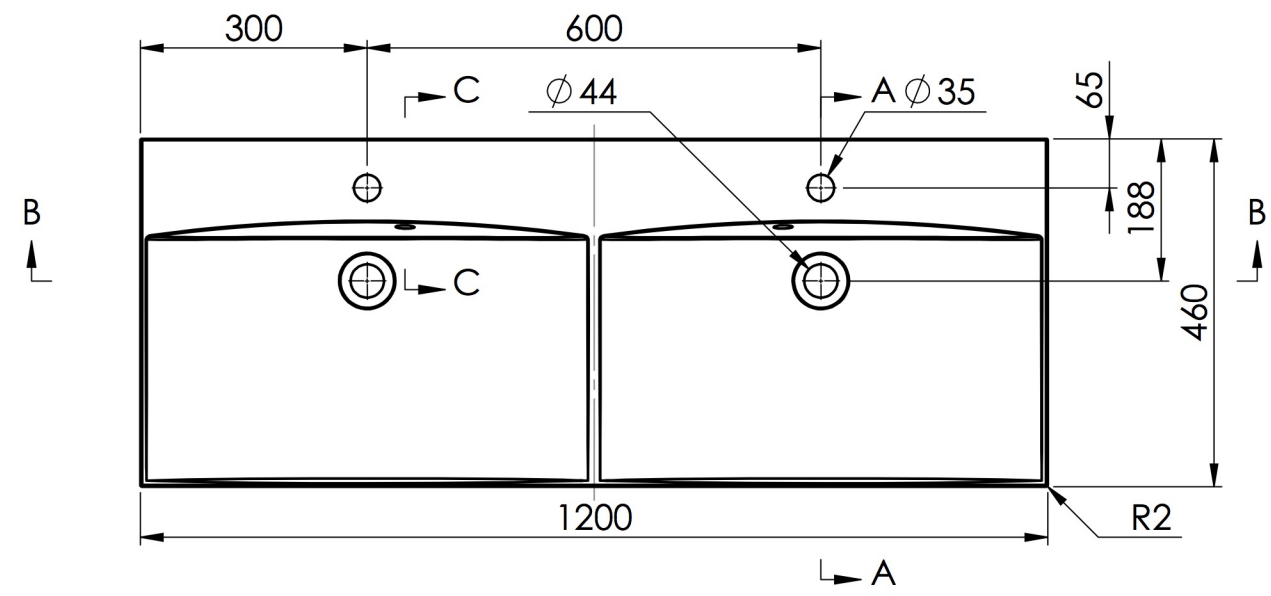
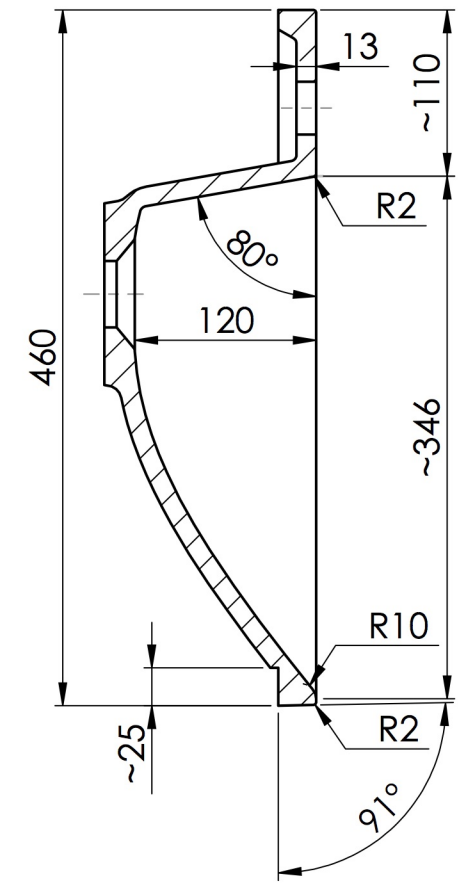


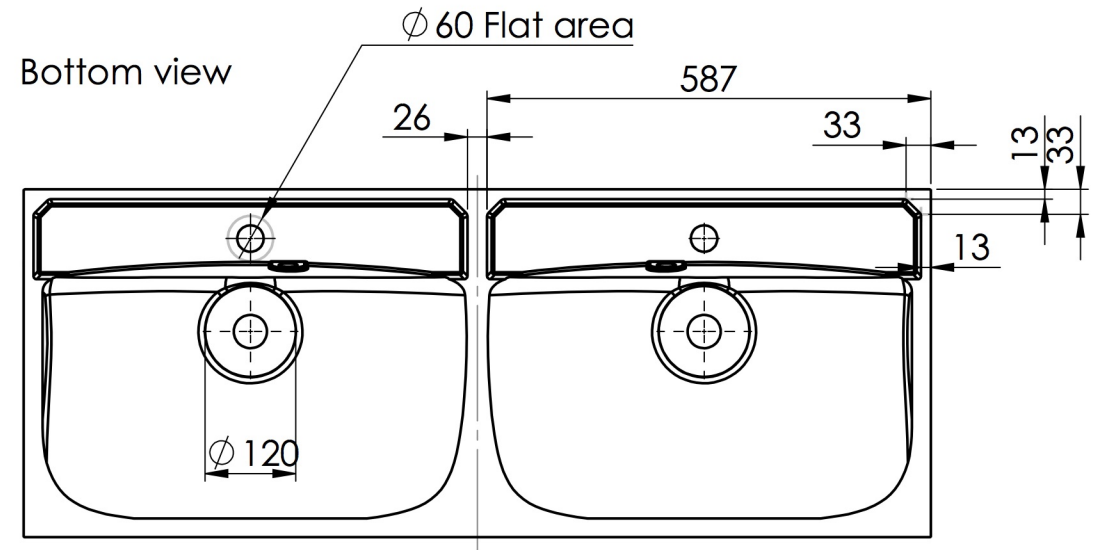
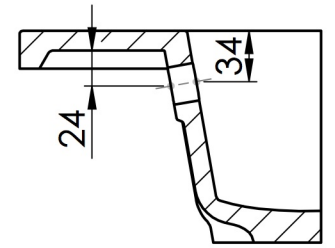
TOLERANCE +3/-3 mm



A-A (1:5)



C-C (1:5)



# MENSA 1200 D