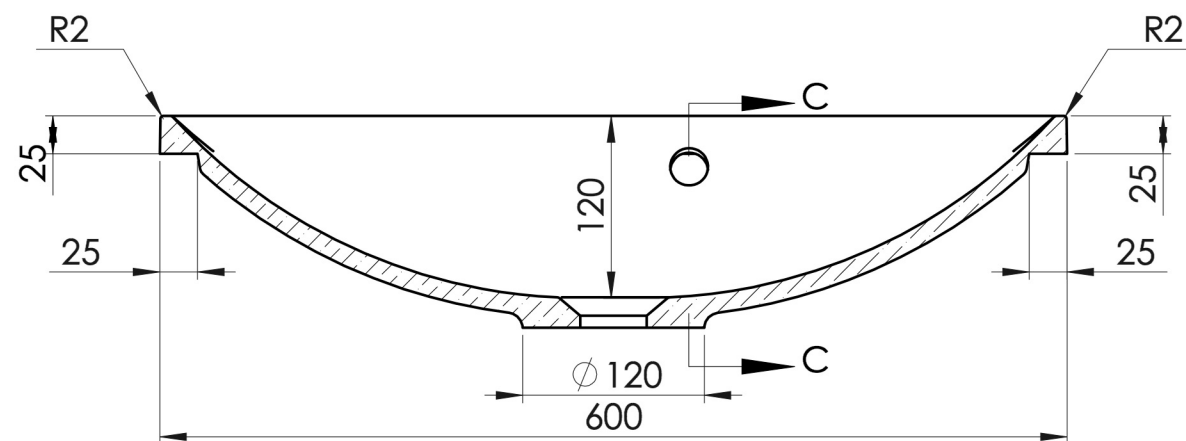
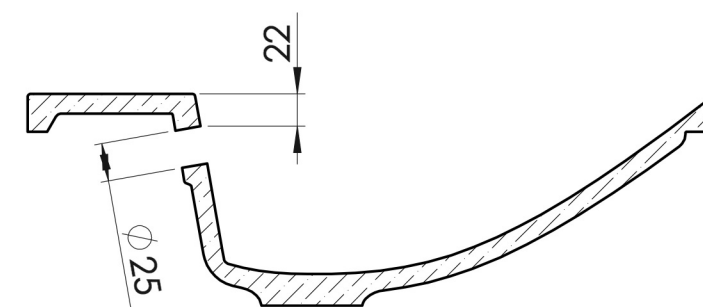


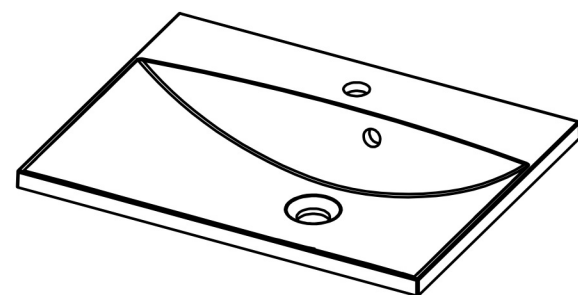
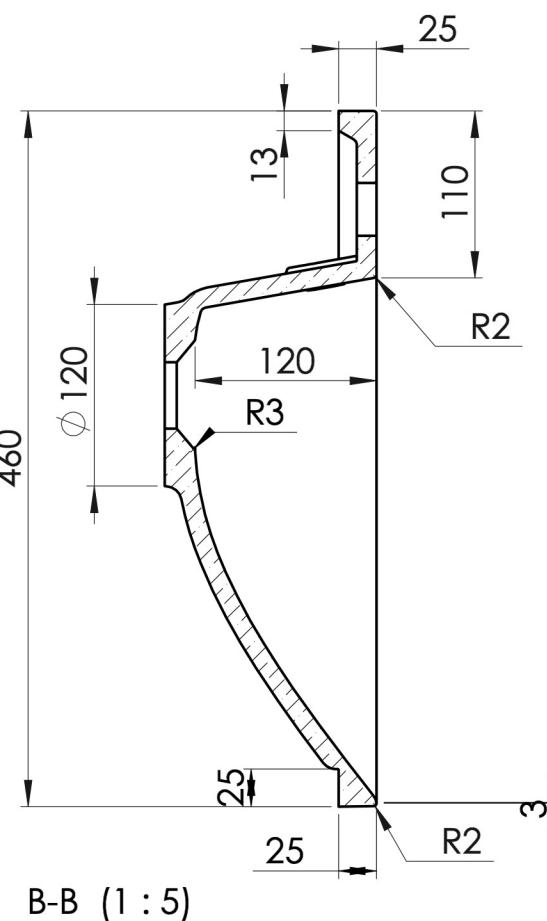
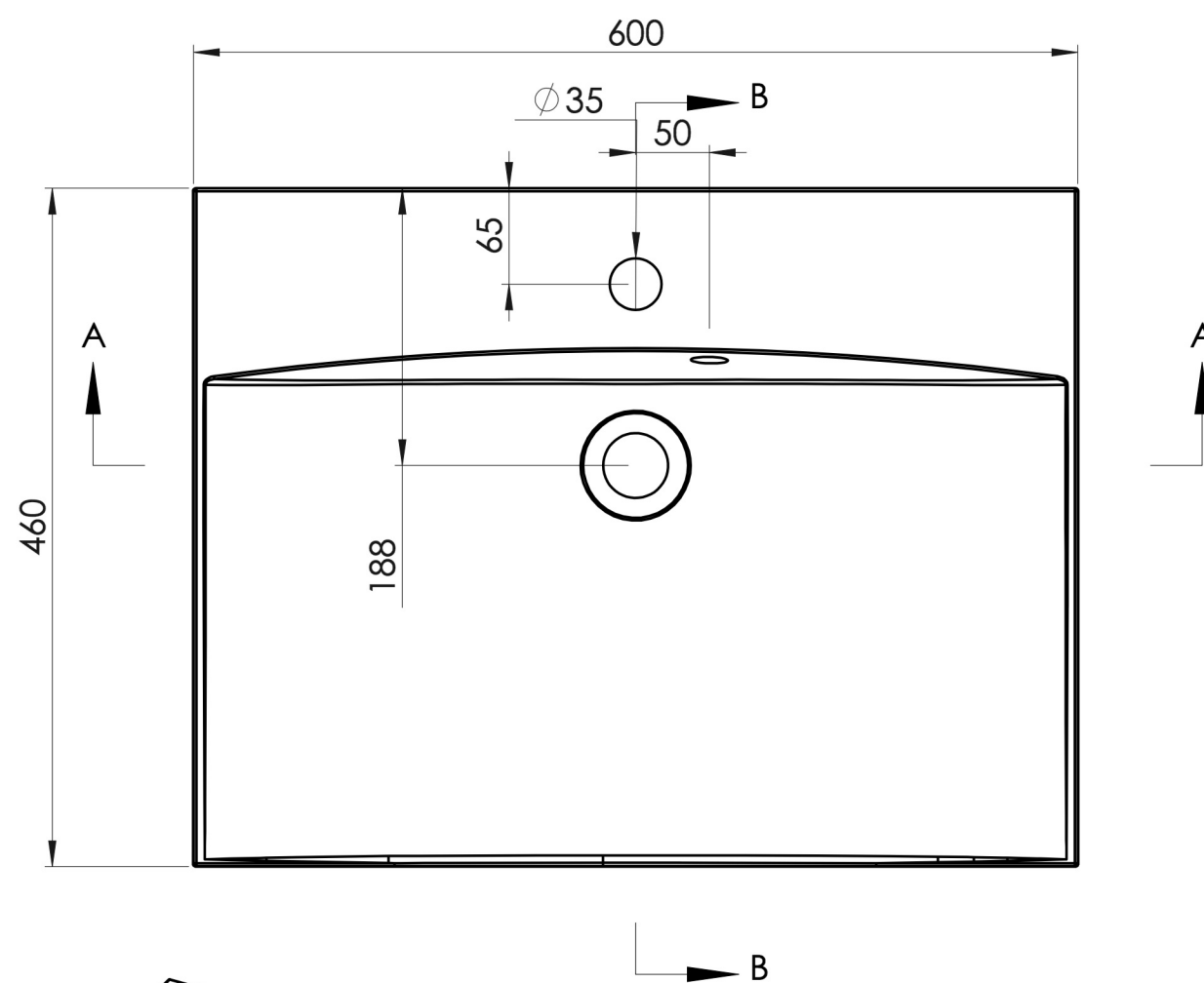
A-A (1:5)



C-C (1:5)



TOLERANCE +3/-3 mm



# MENSA 600 C