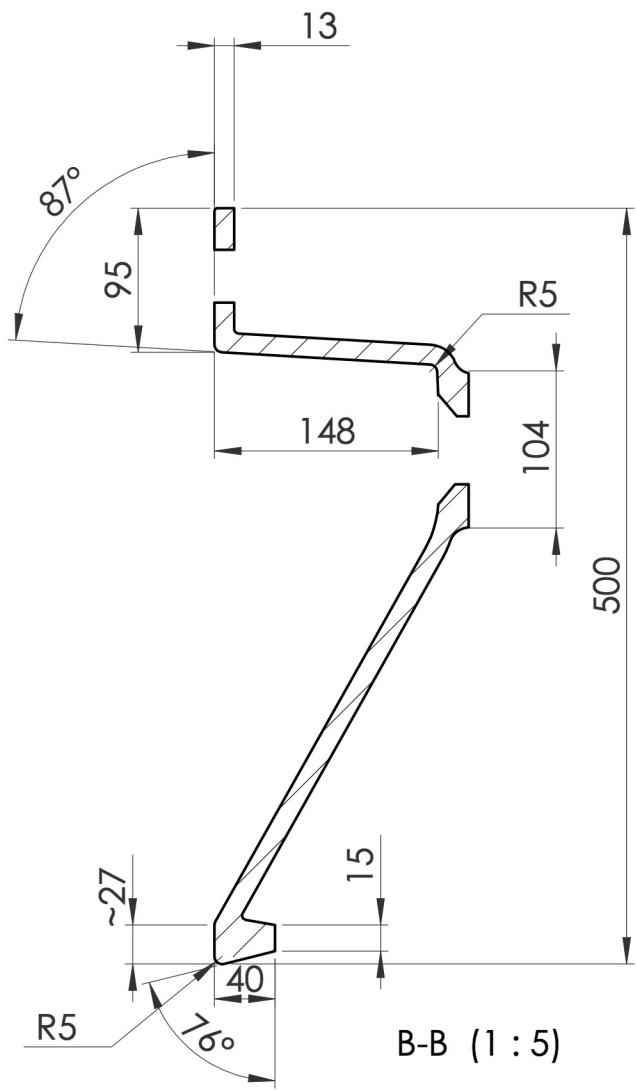
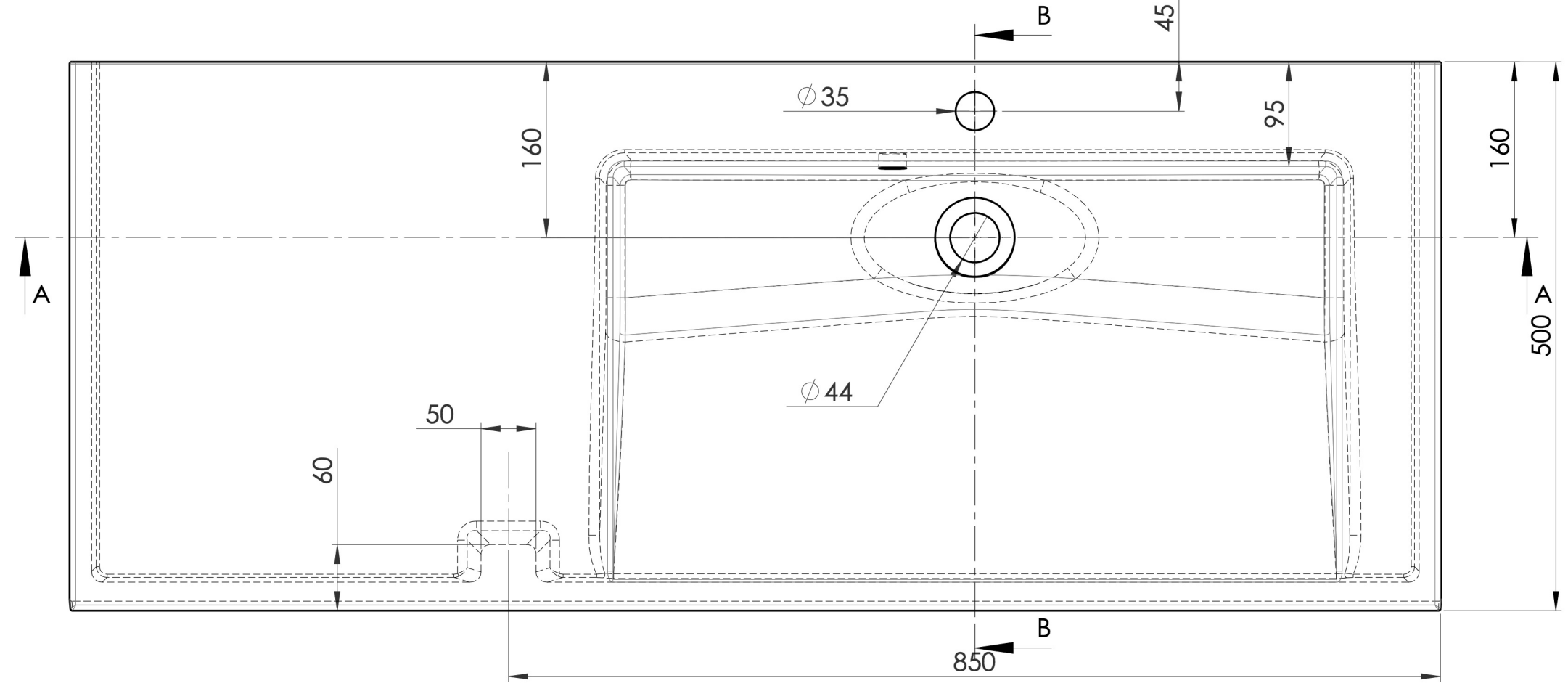


TOLERANCE +3/-3 mm



# MODUL 1250 R