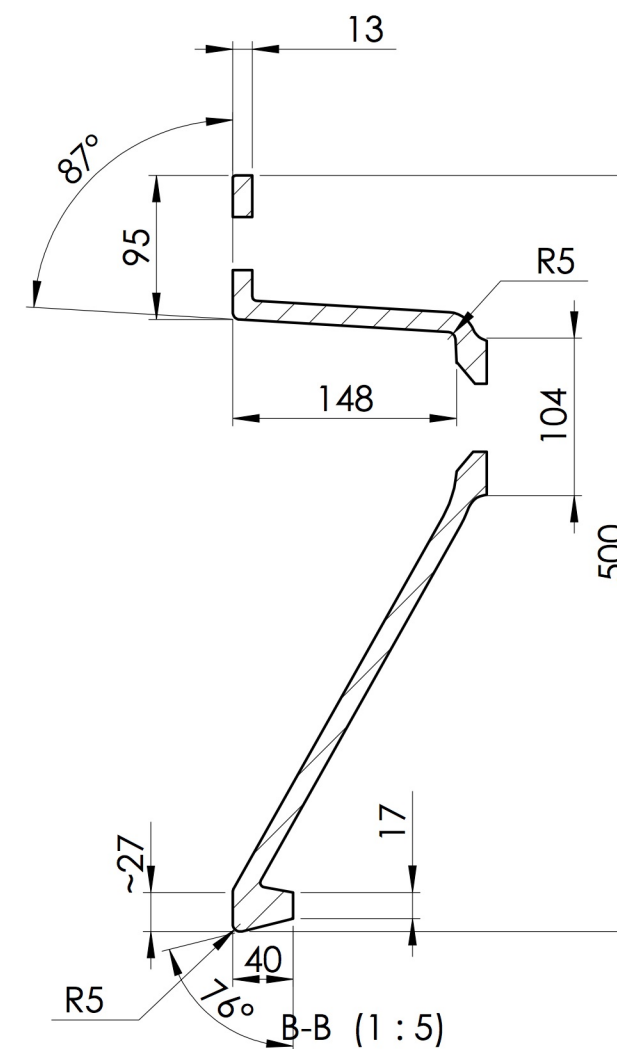
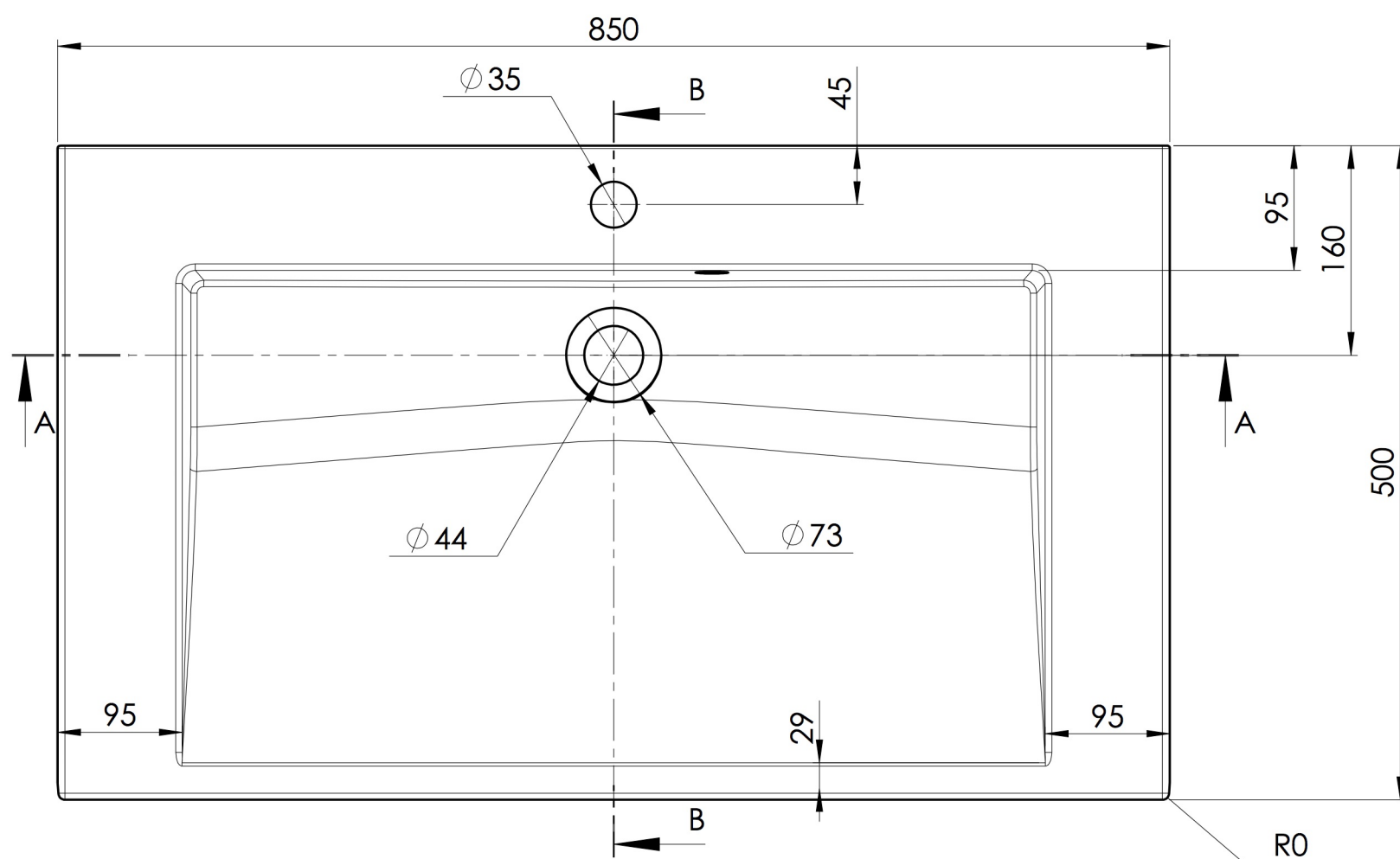


TOLERANCE +3/-3 mm



## MODUL 850 C