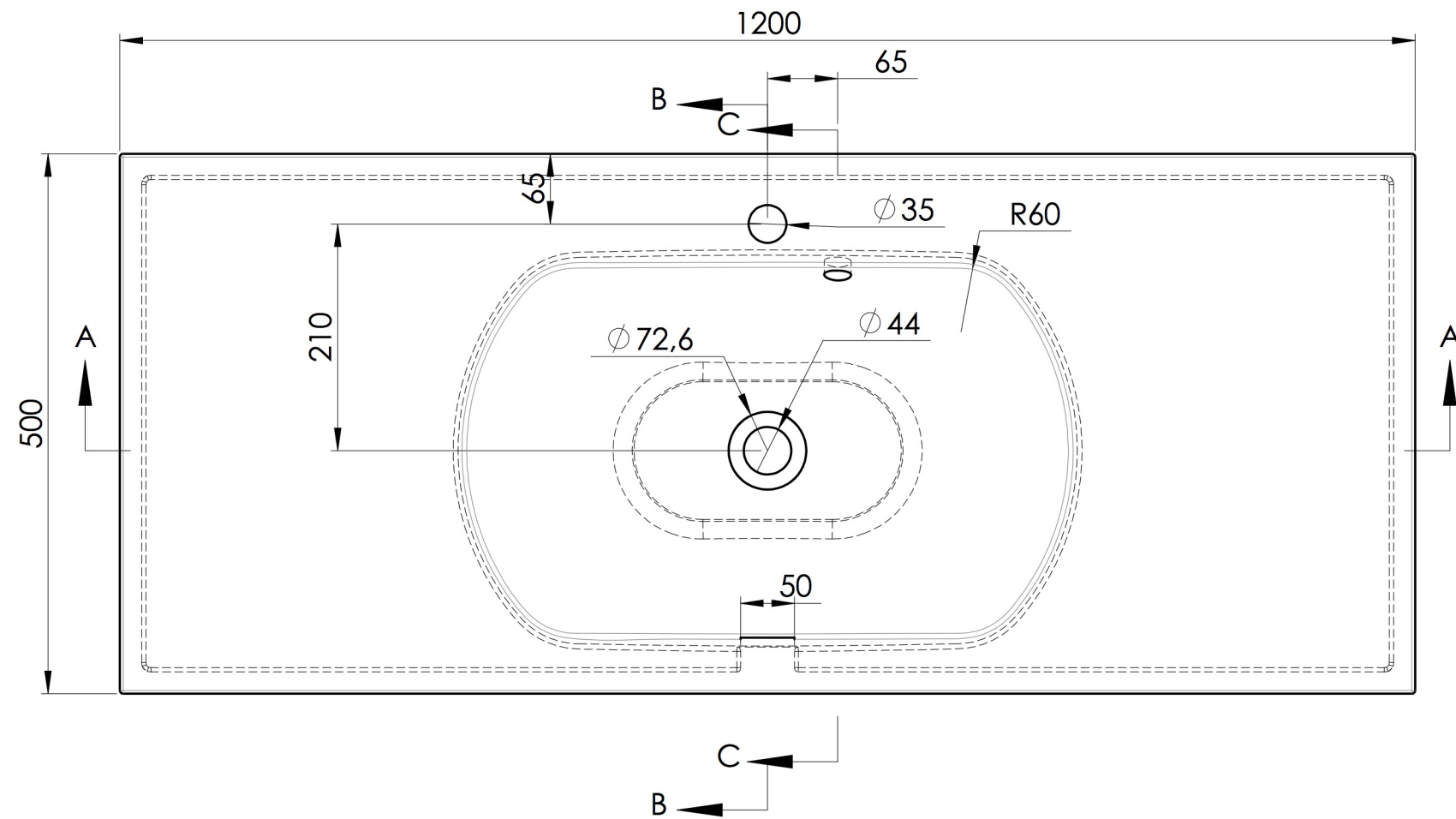
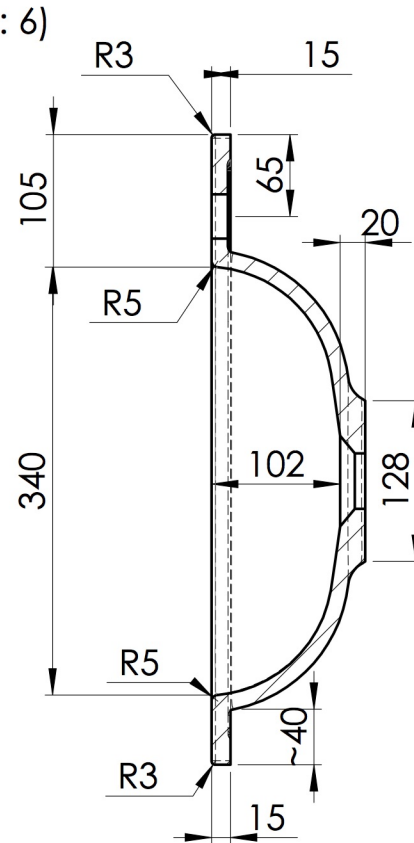


BOTTOM VIEW

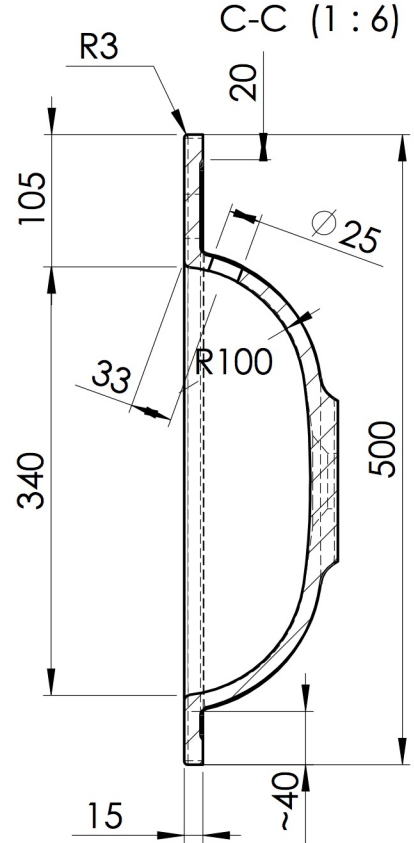
TOLERANCE +3/-3 mm



B-B (1:6)



C-C (1:6)



NAVARRO 1200 C