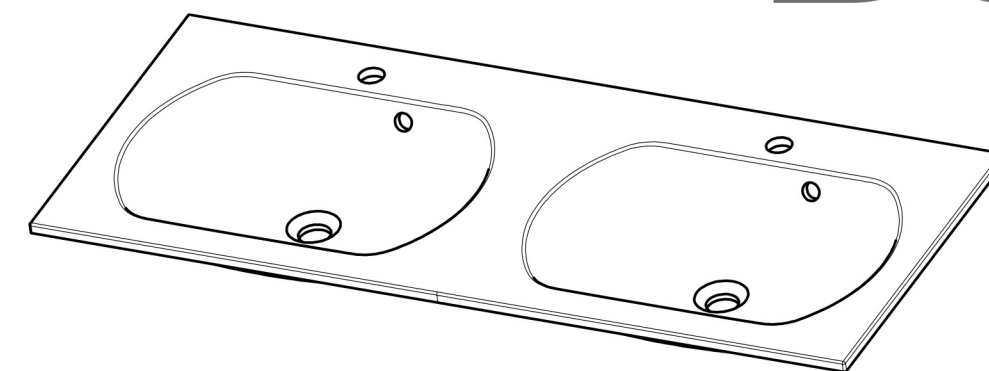
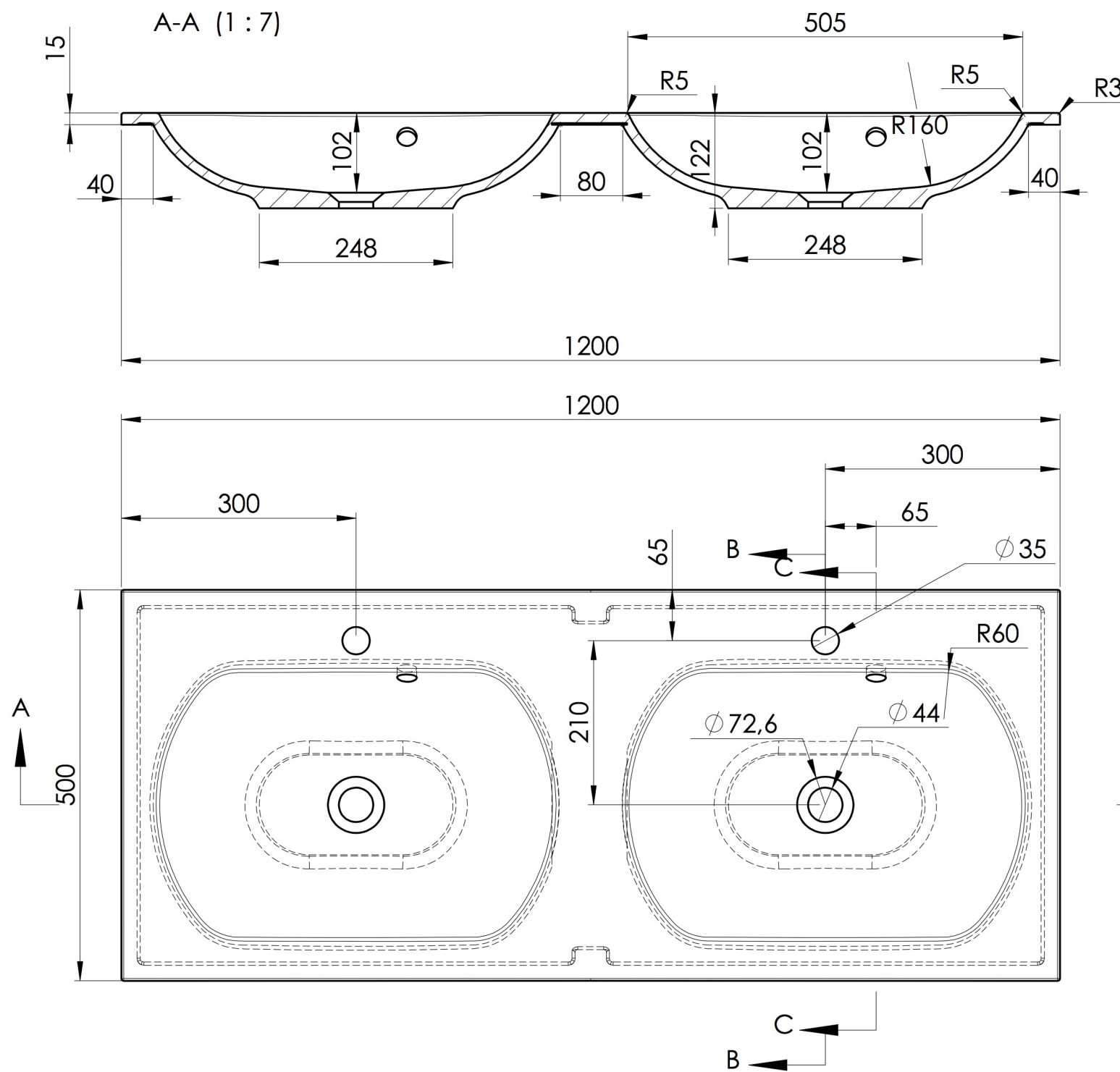
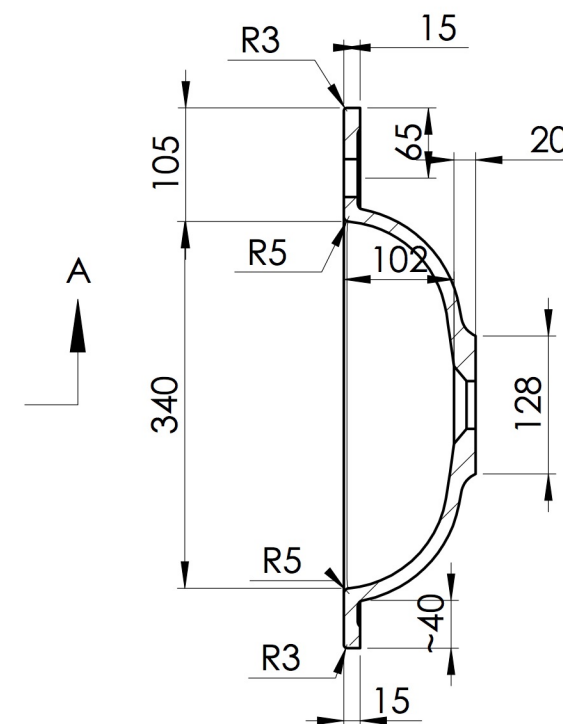


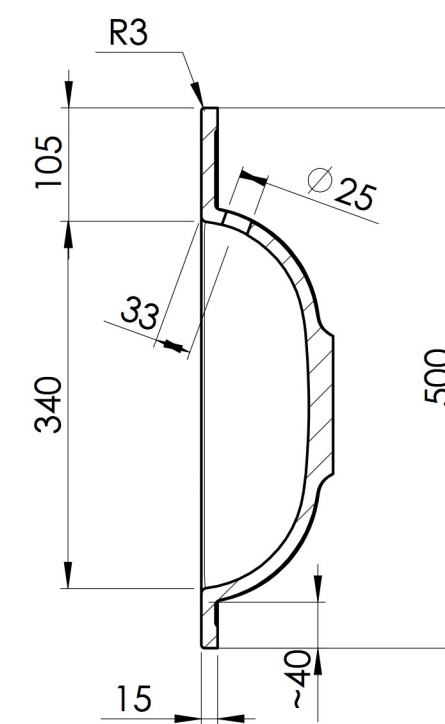
TOLERANCE +3/-3 mm



**B-B (1:7)**



**C-C (1:7)**



# NAVARRO 1200 D