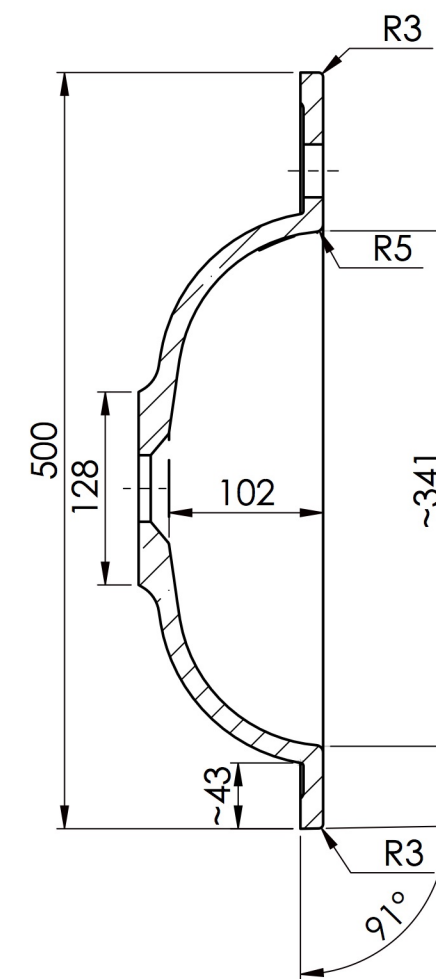
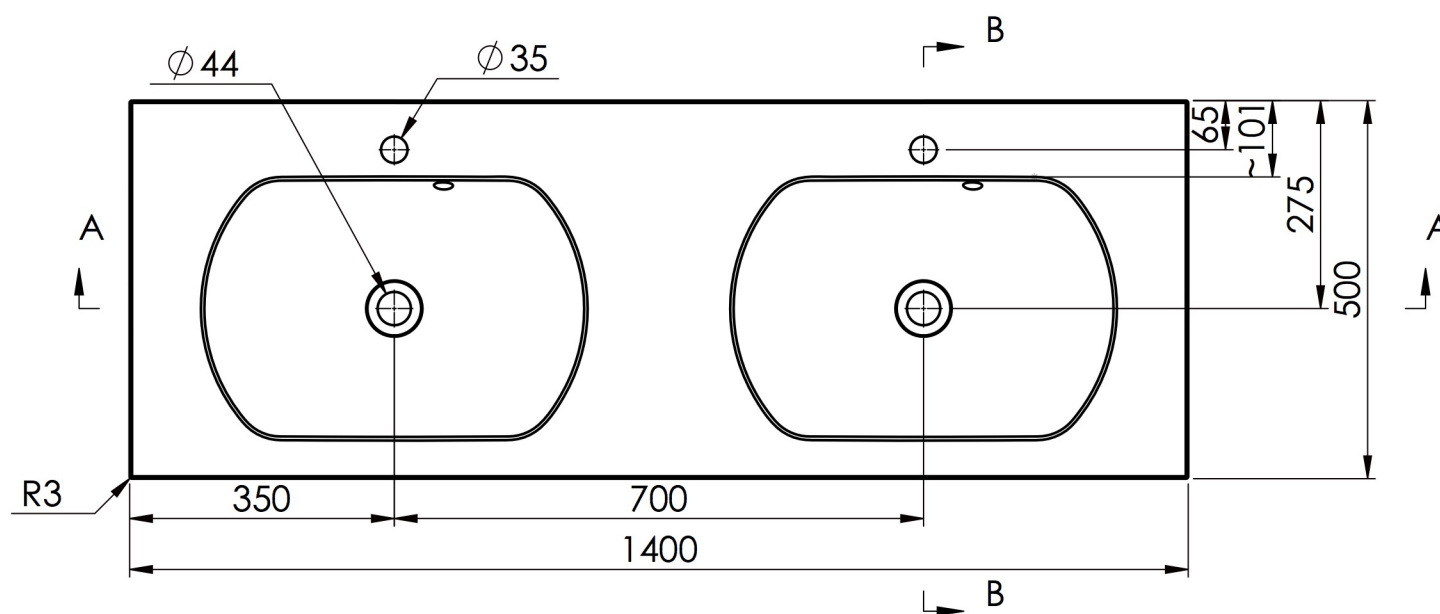


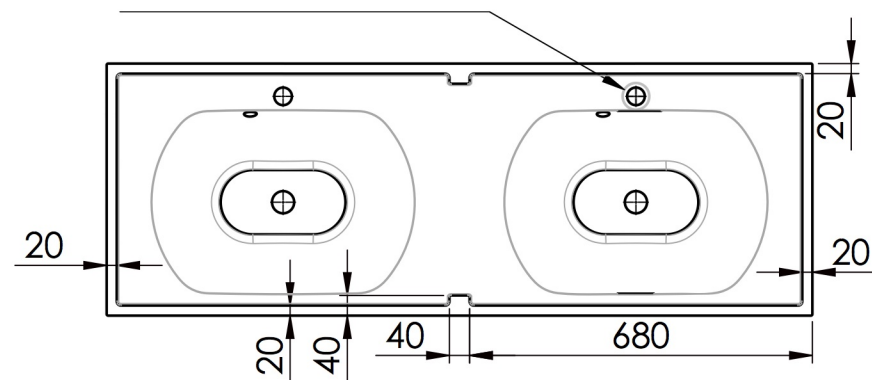
B-B (1:5)



TOLERANCE +3/-3 mm



Bottom view



NAVARRO 1400 D