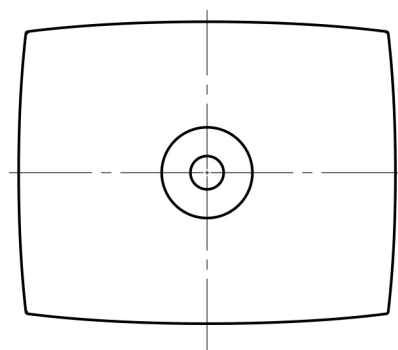


Backside view



TOLERANCE: +3/-3 mm

NORMA 500 C