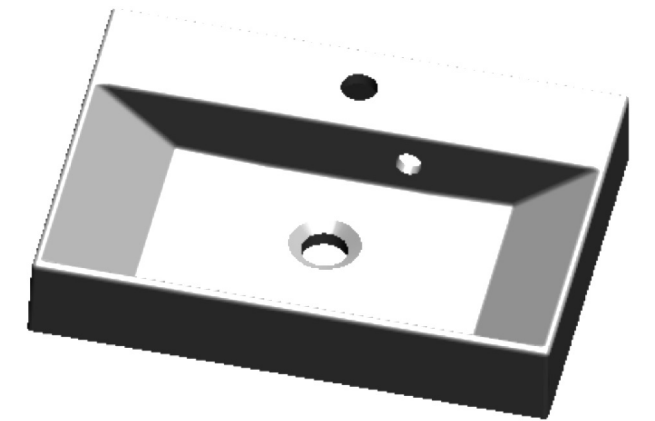
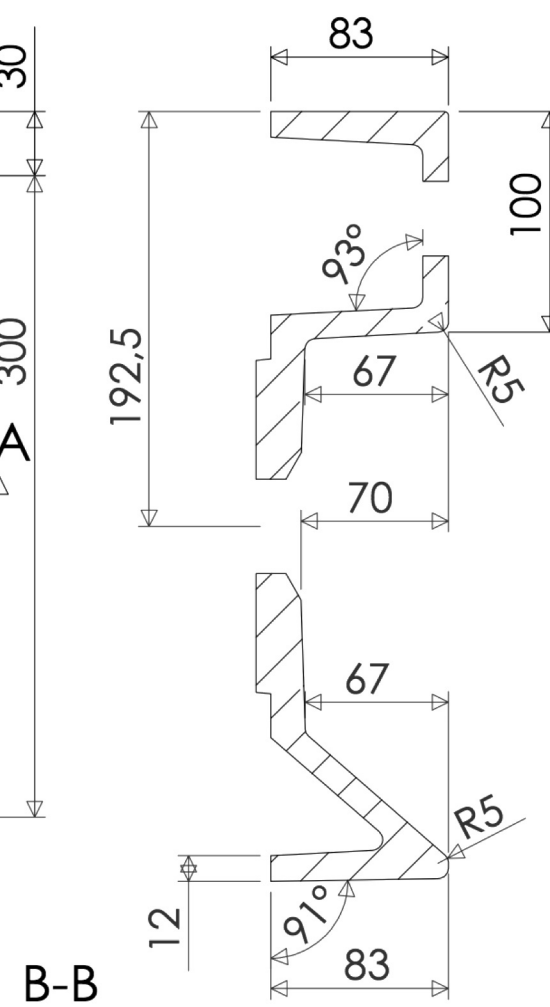
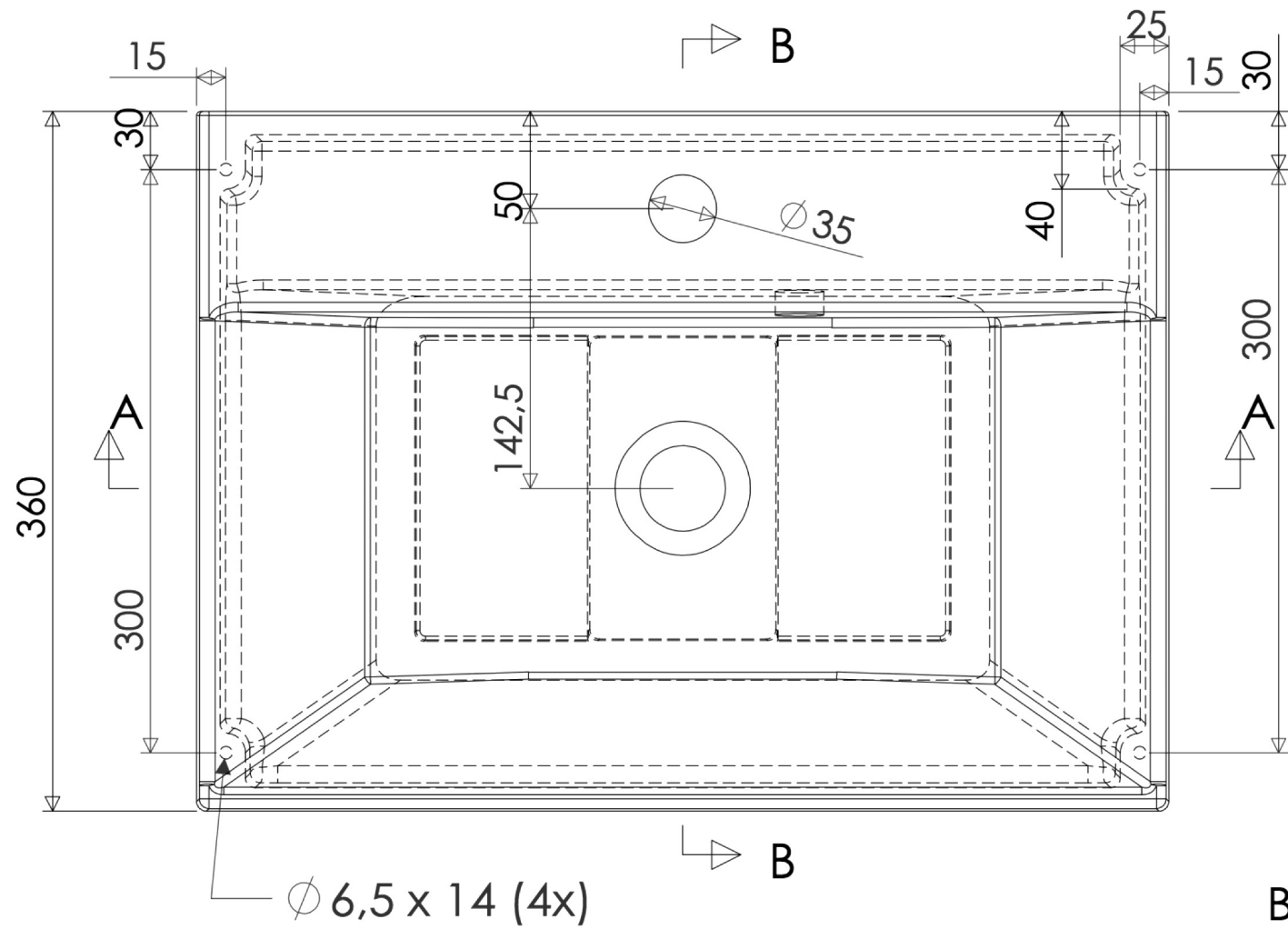


TOLERANCE: +3/-3 mm



NUBE 500 C