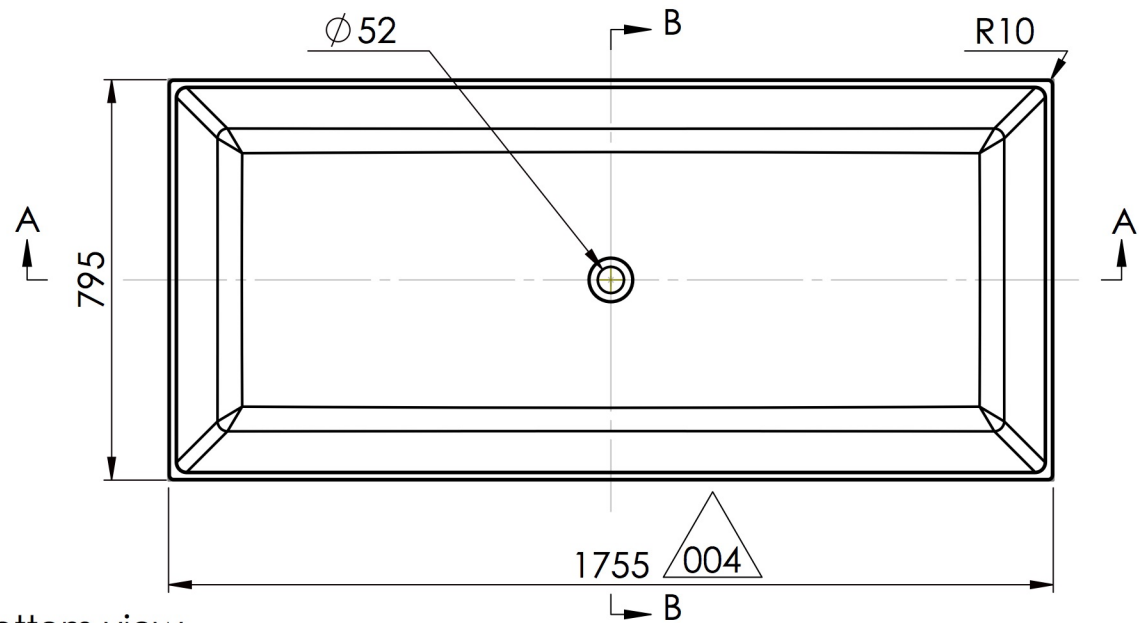
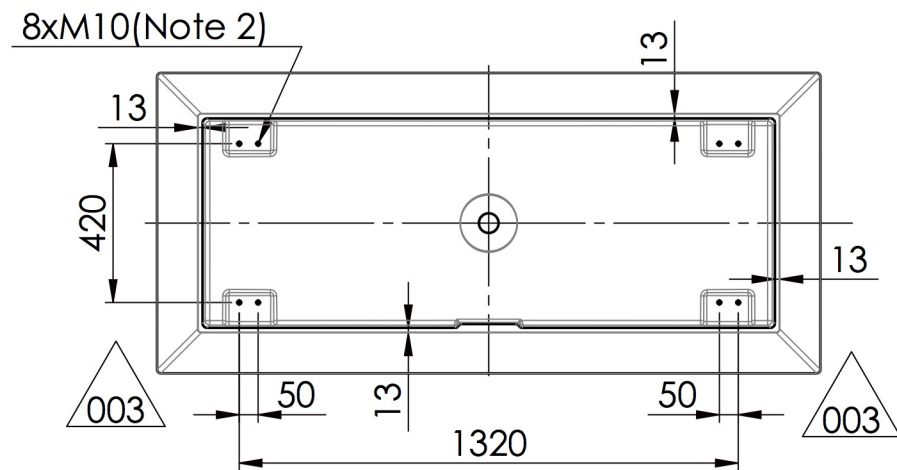
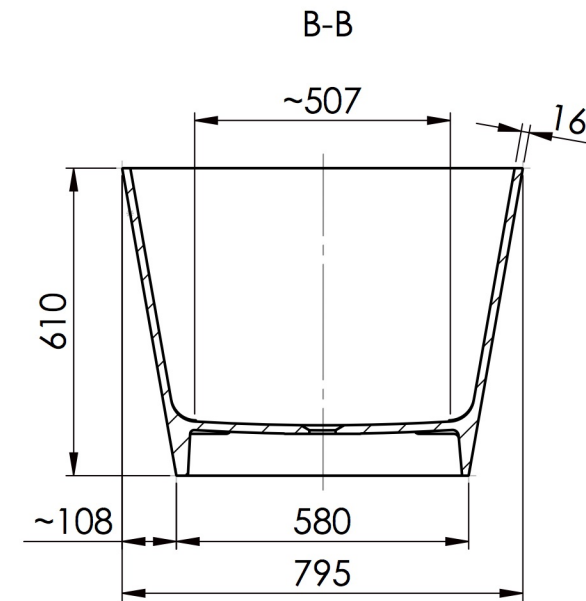


TOLERANCE +3/-3 mm



Bottom view



# PEGASUS 1755