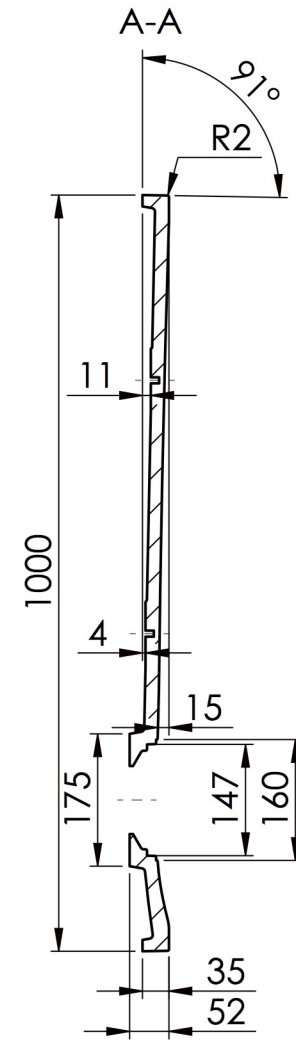
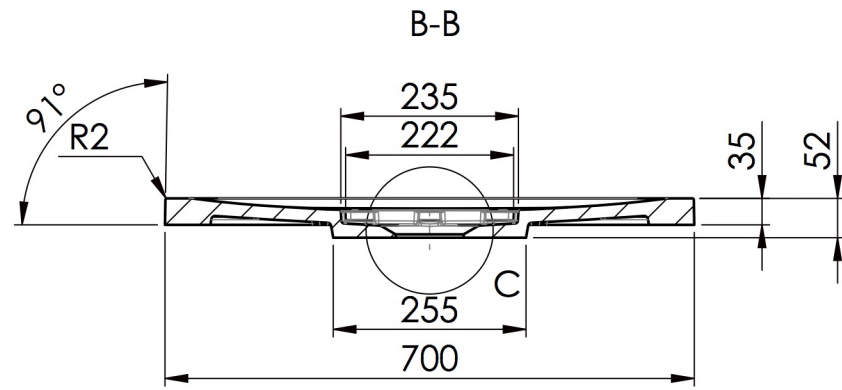
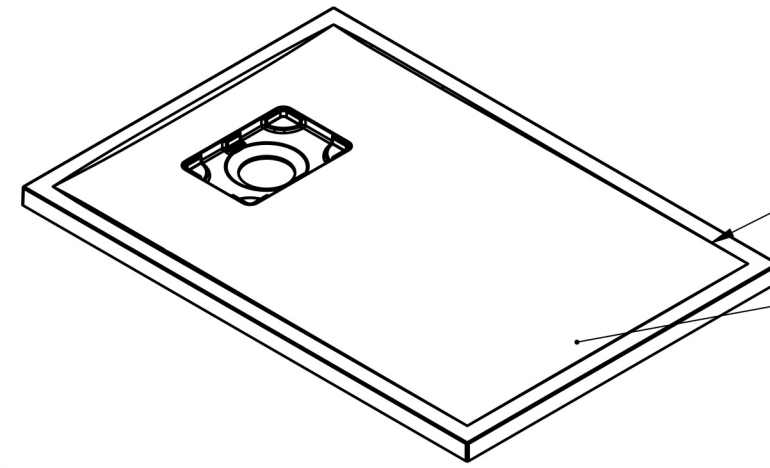
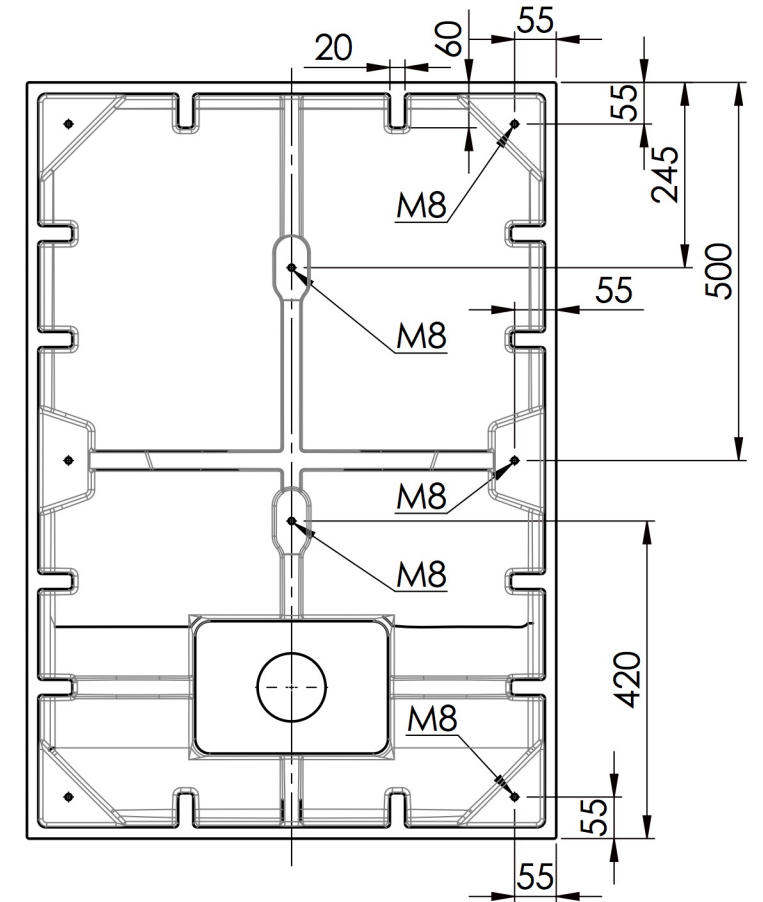


Invisible edges

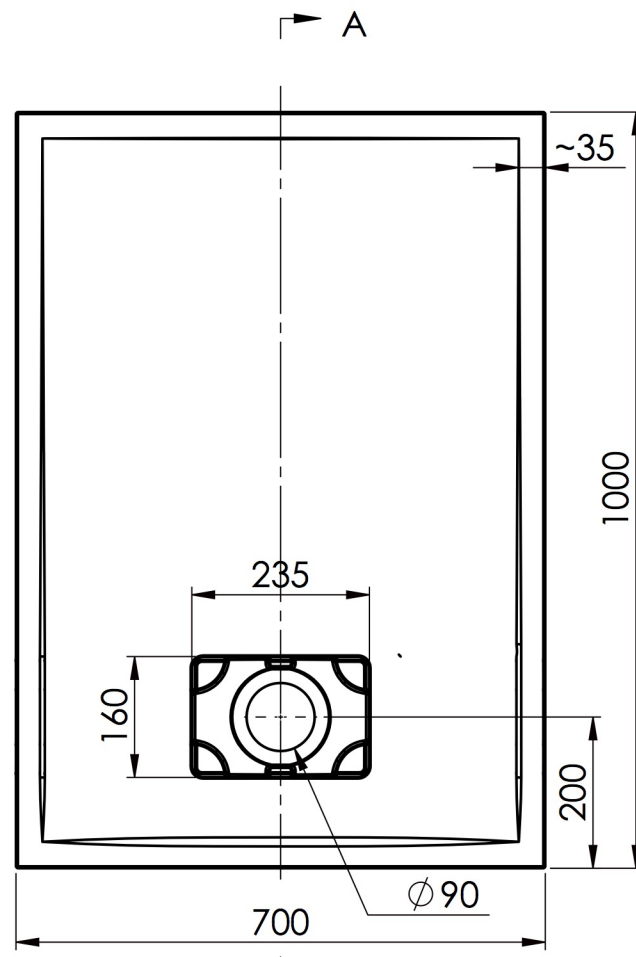
Stone surface



Bottom view - feet position

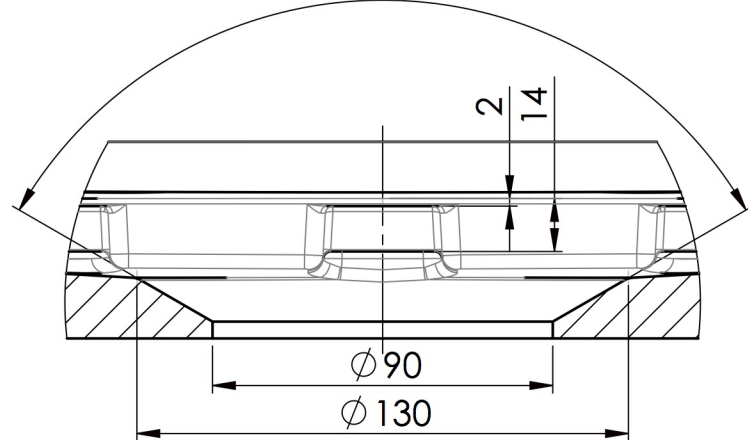


TOLERANCE: +3/-3 mm



C (1:2)

120°



RILIEVO 1000 x 700