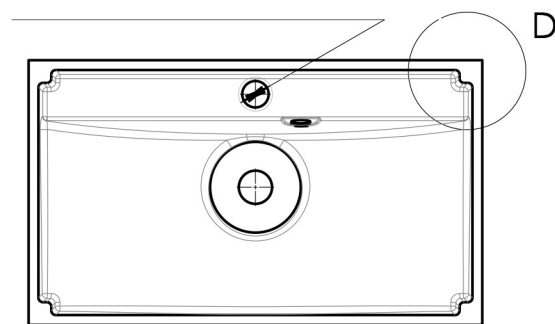


Bottom view

Ø 45 Flat area



TOLERANCE: +3/-3 mm

ROMA 600 C