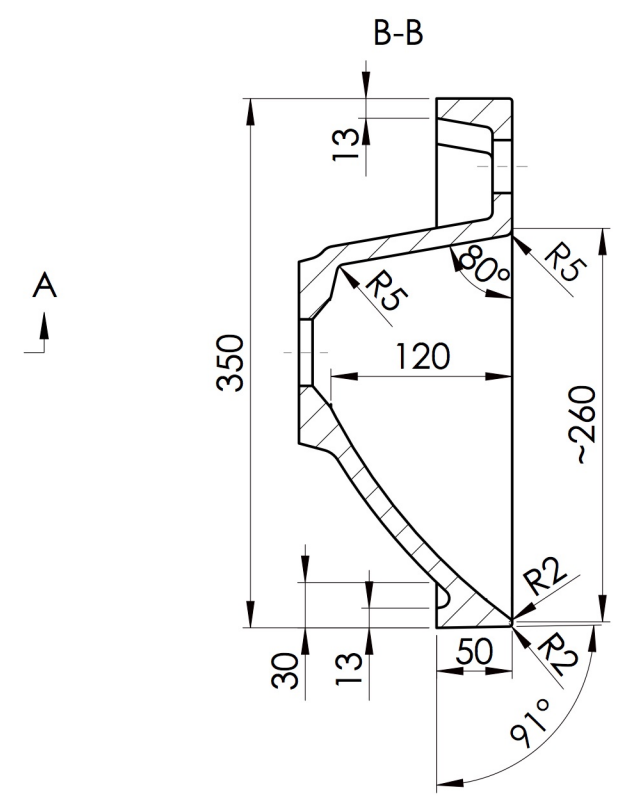
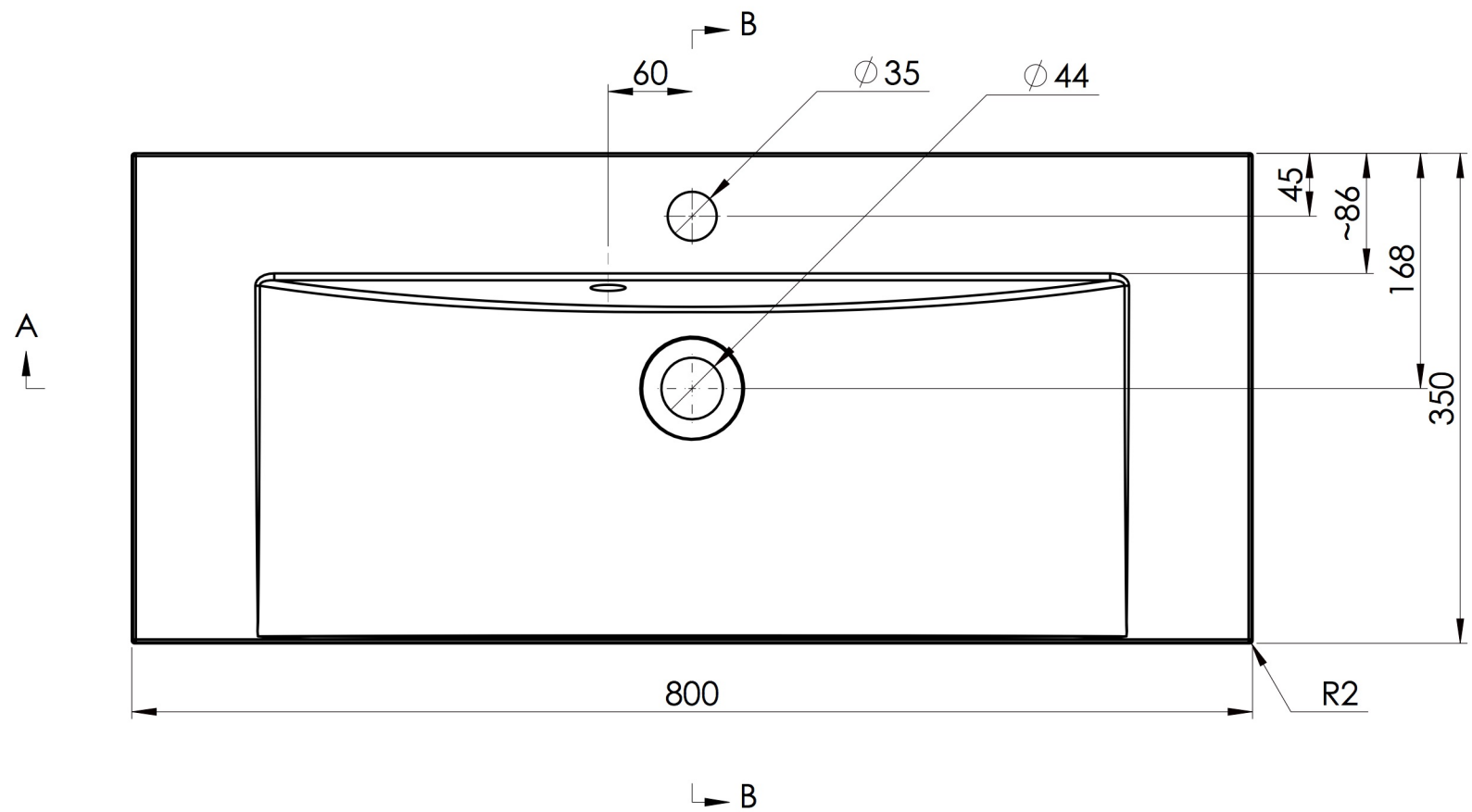
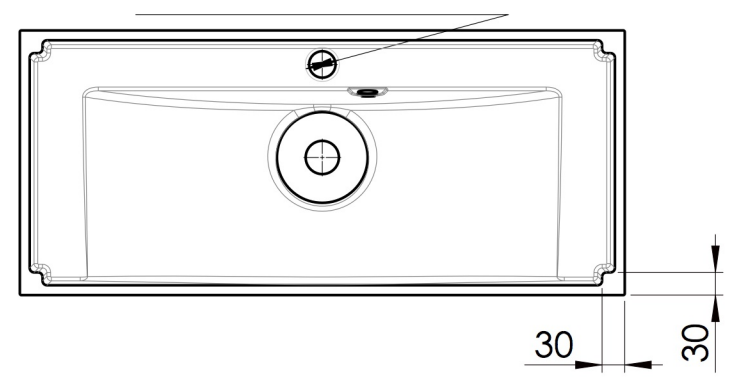


TOLERANCE: +3/-3 mm



Bottom view

Ø 45 Flat area



ROMA 800 C