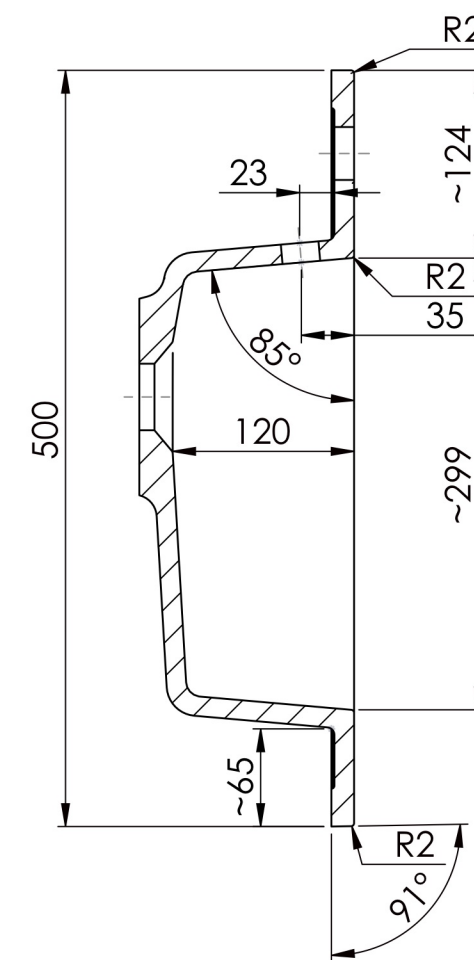
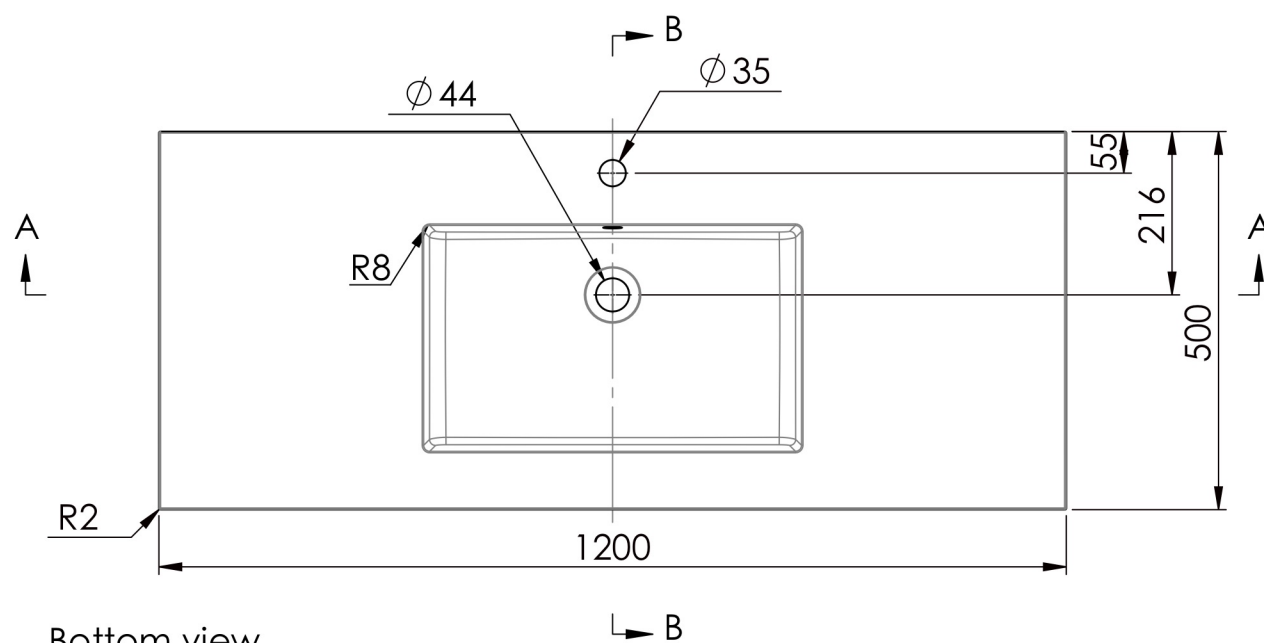


B-B (1 : 5)

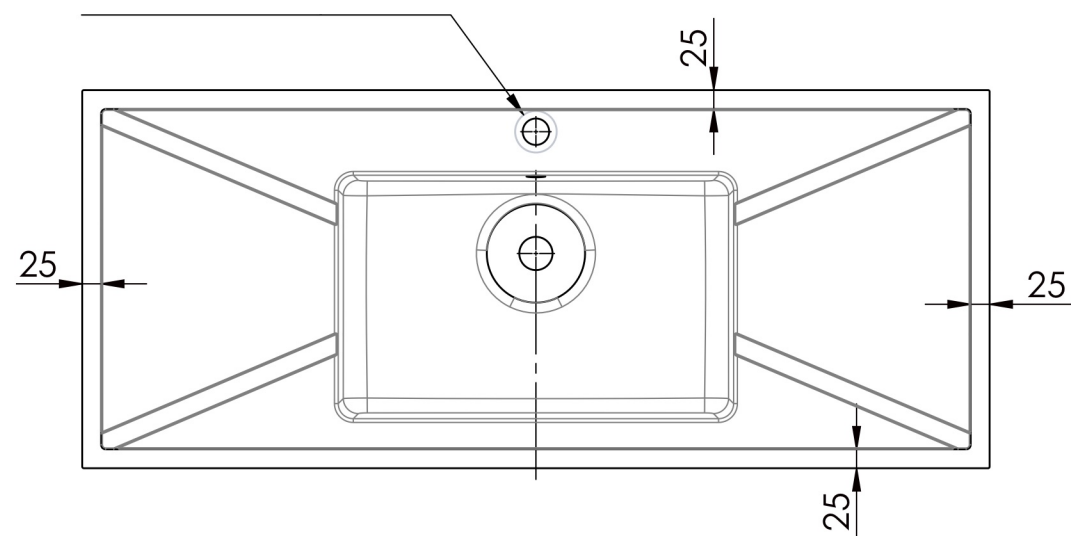


TOLERANCE +3/-3 mm



Ø 55 Flat area

Bottom view



VARIA 1200 C