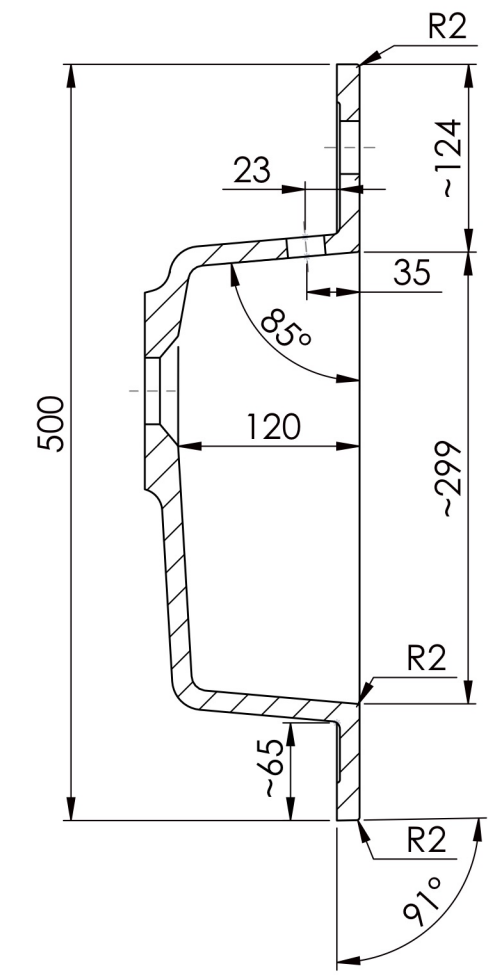
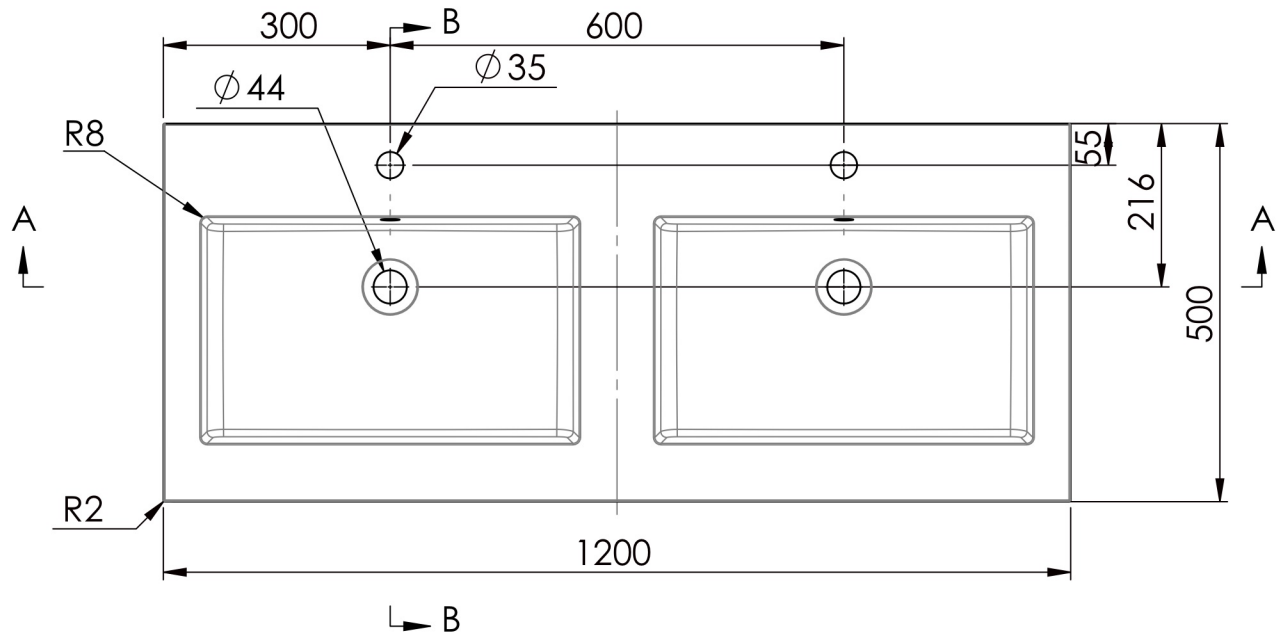


B-B (1 : 5)

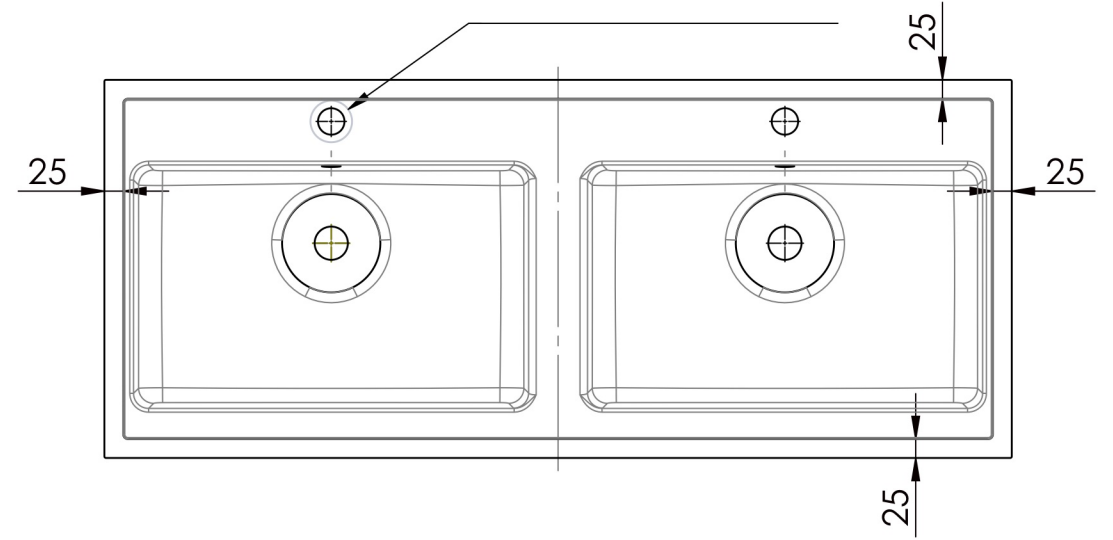


TOLERANCE +3/-3 mm



Bottom view

Ø55 Flat area



VARIA 1200 D