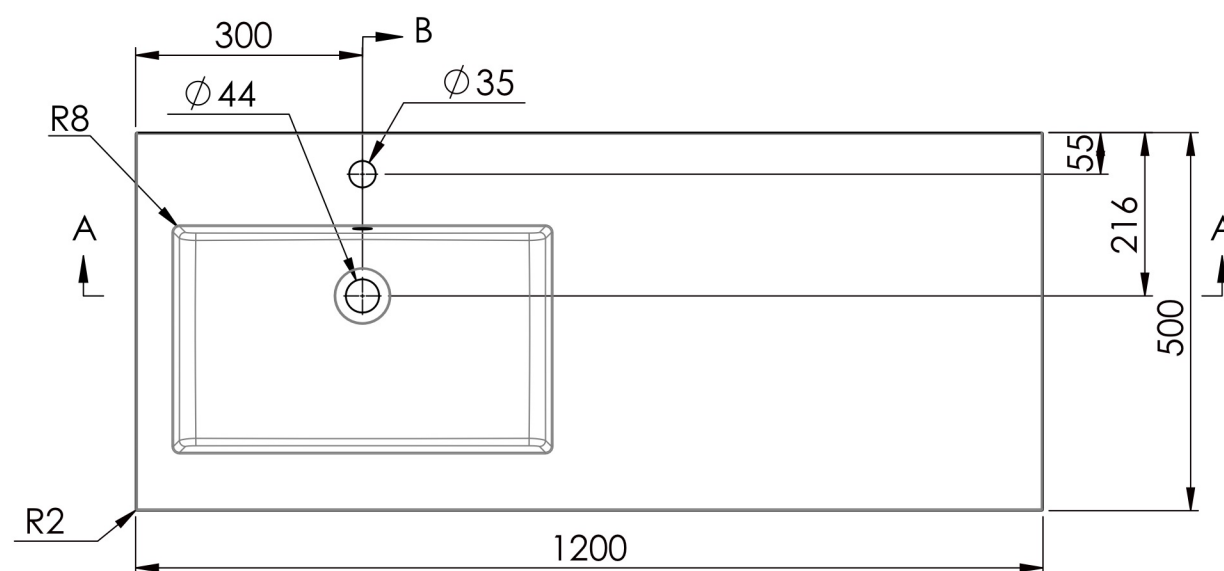
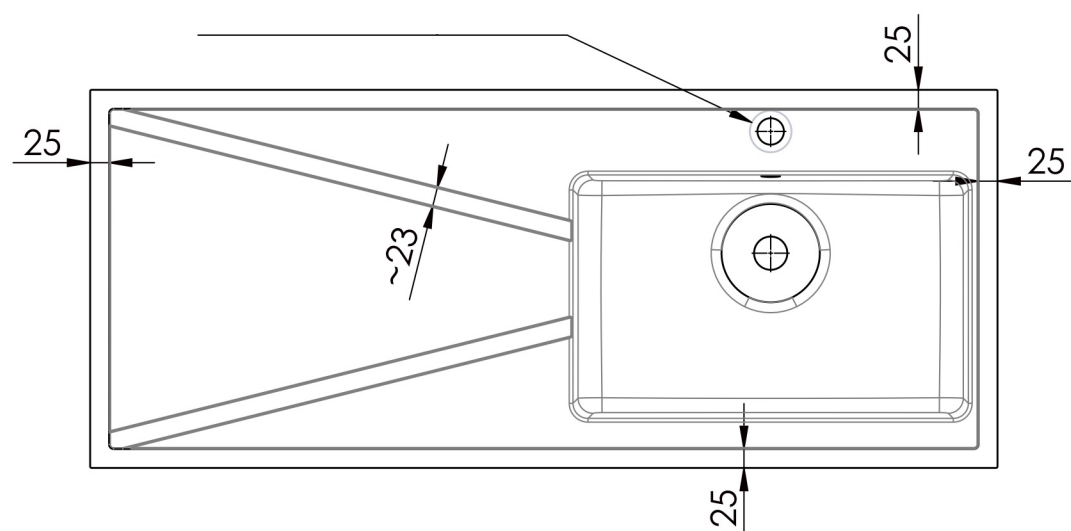


TOLERANCE +3/-3 mm



$\phi 55$  Flat area  
Bottom view



## VARIA 1200 L