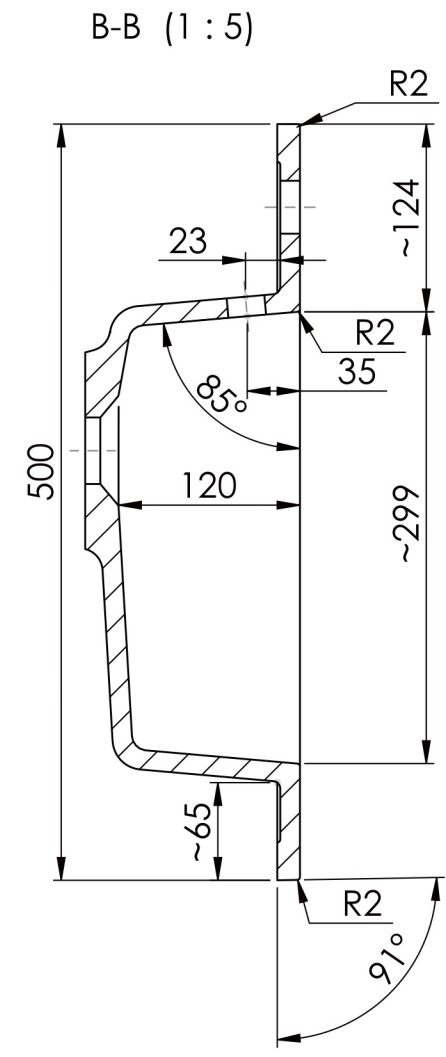
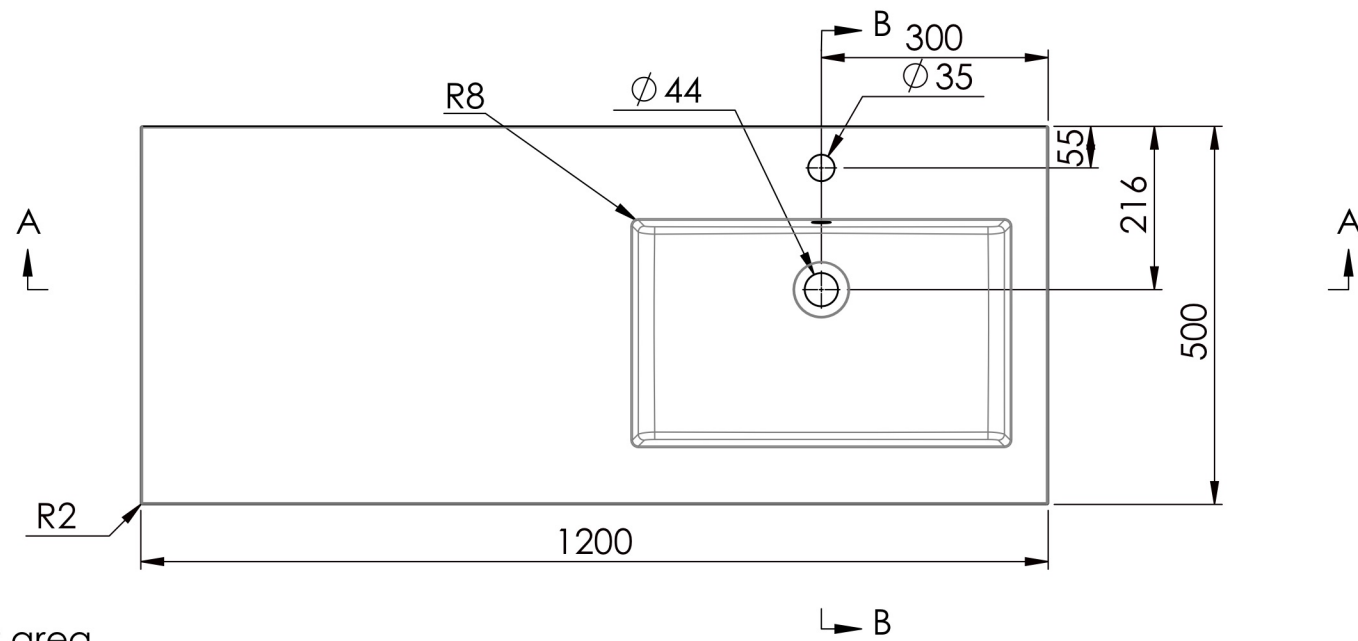
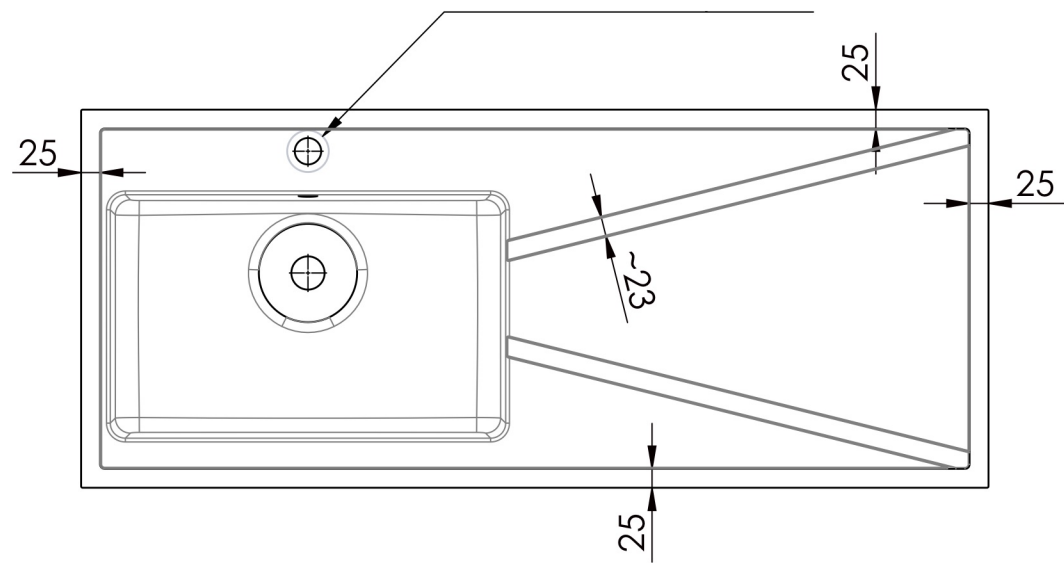


TOLERANCE +3/-3 mm



Bottom view

Ø 55 Flat area



# VARIA 1200 R