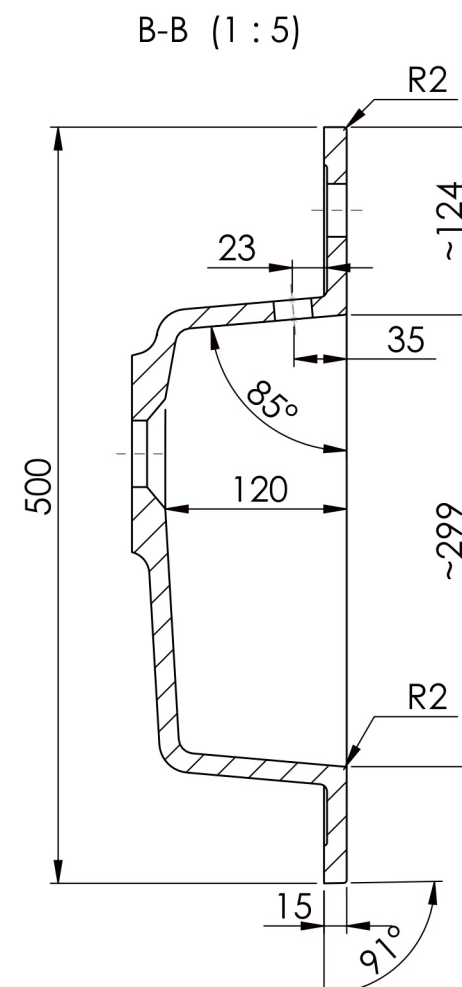
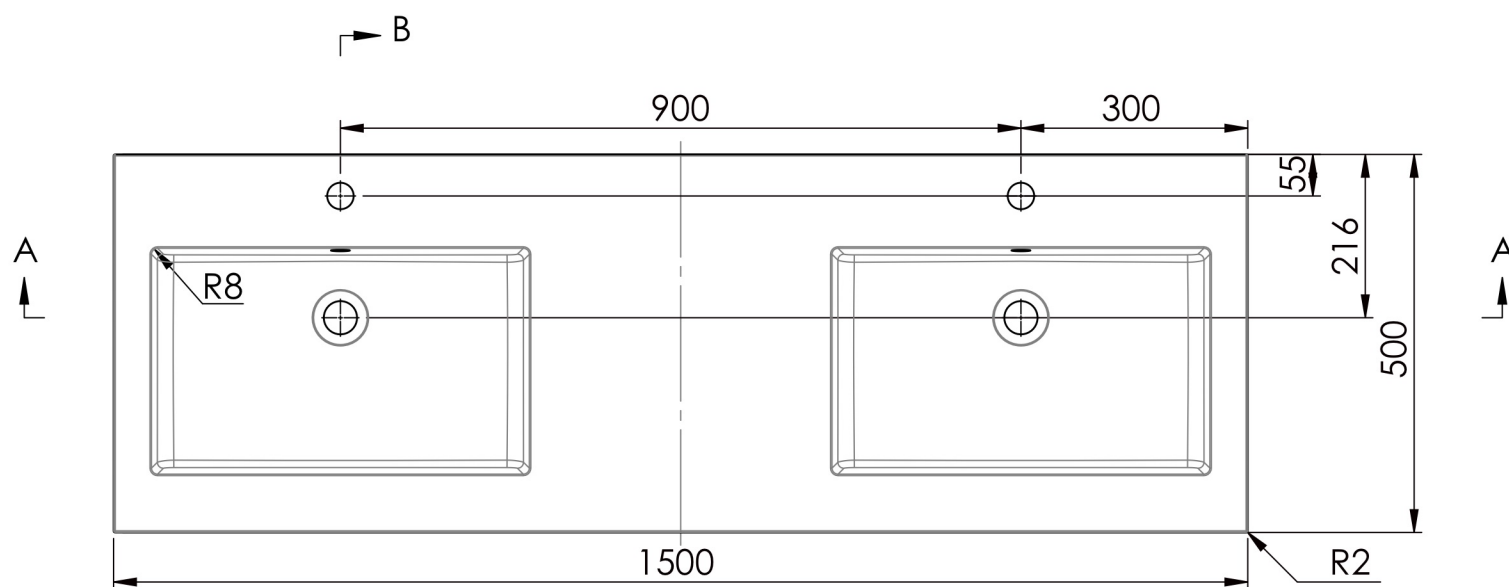
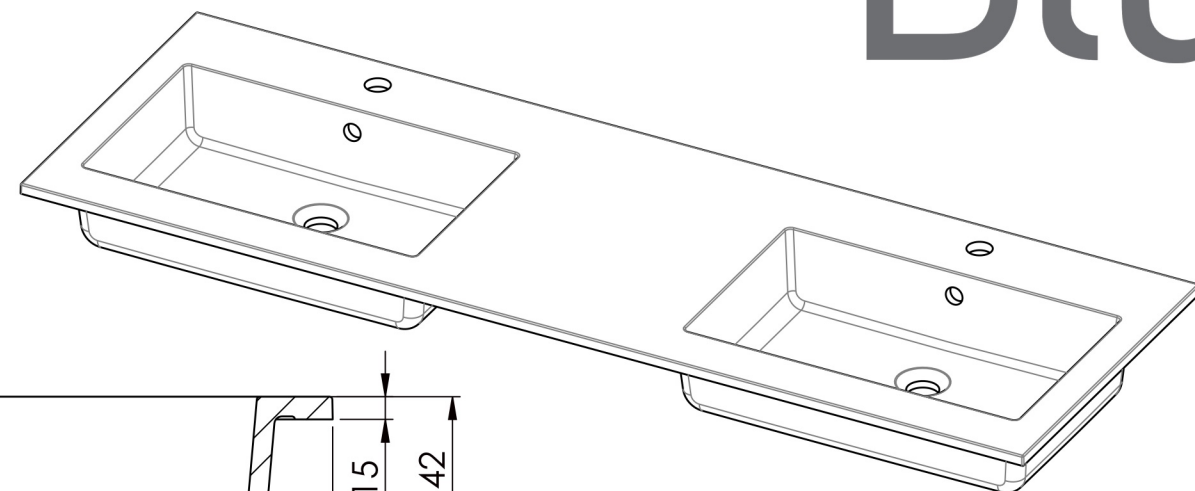
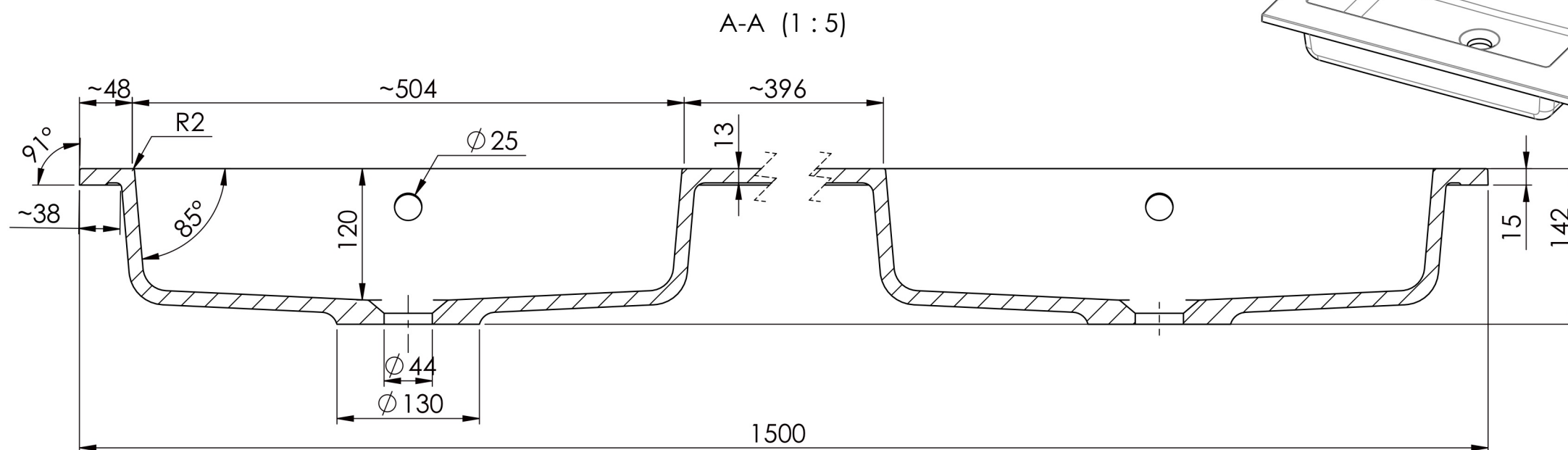
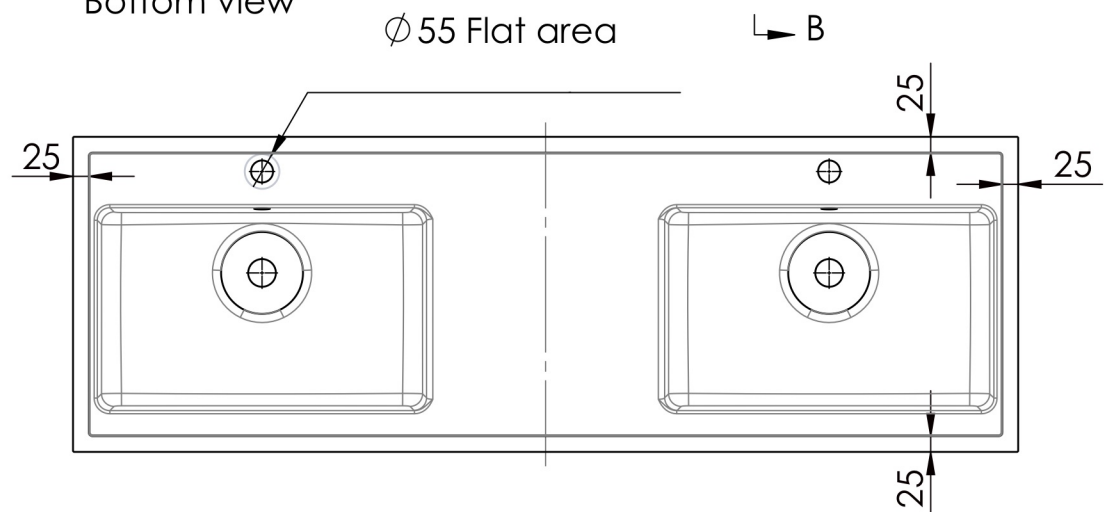


TOLERANCE +3/-3 mm



Bottom view



VARIA 1500 D