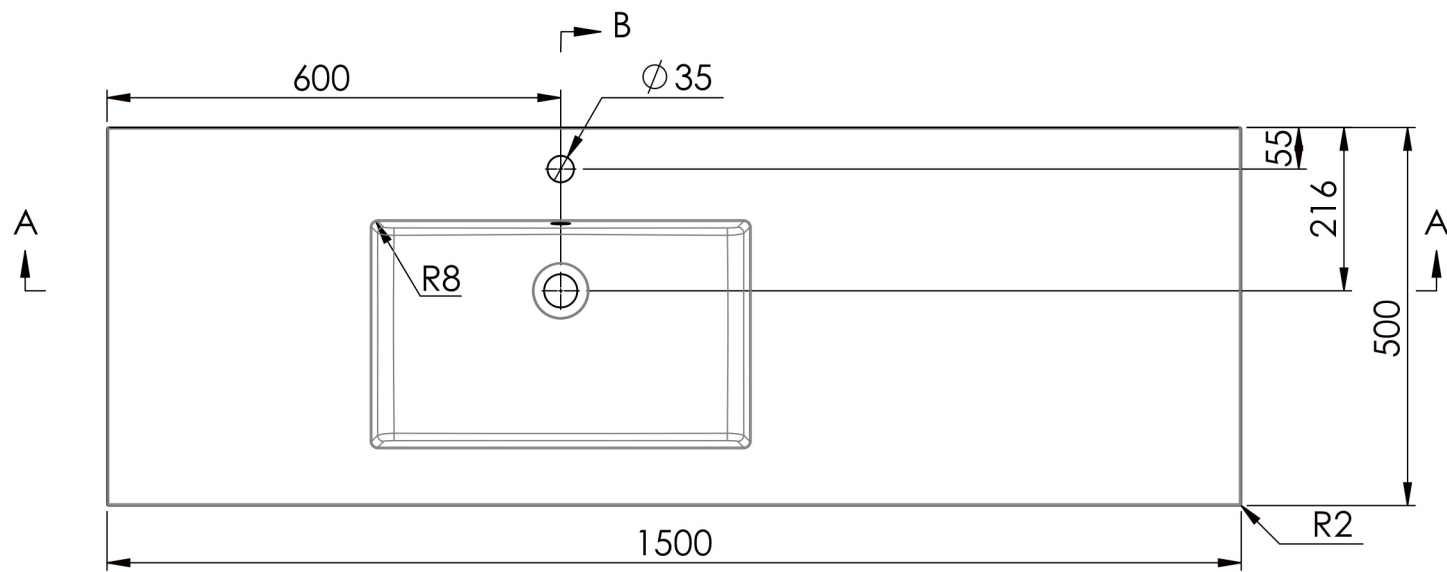
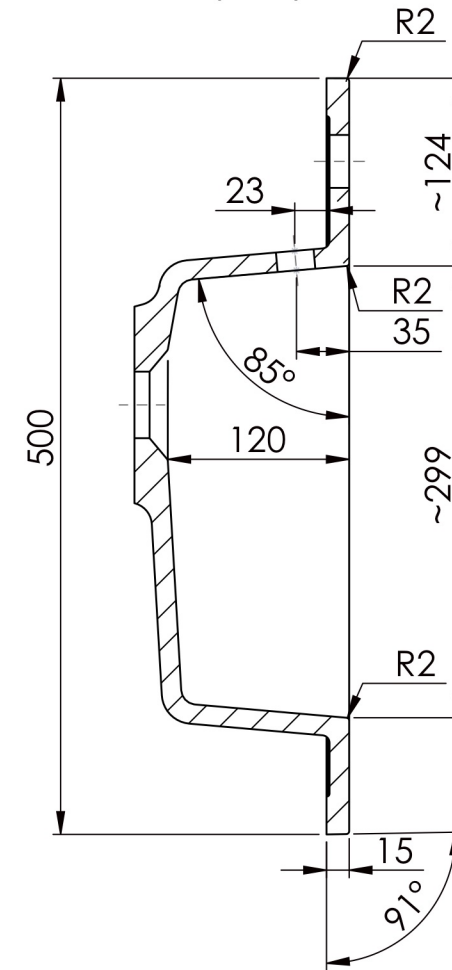


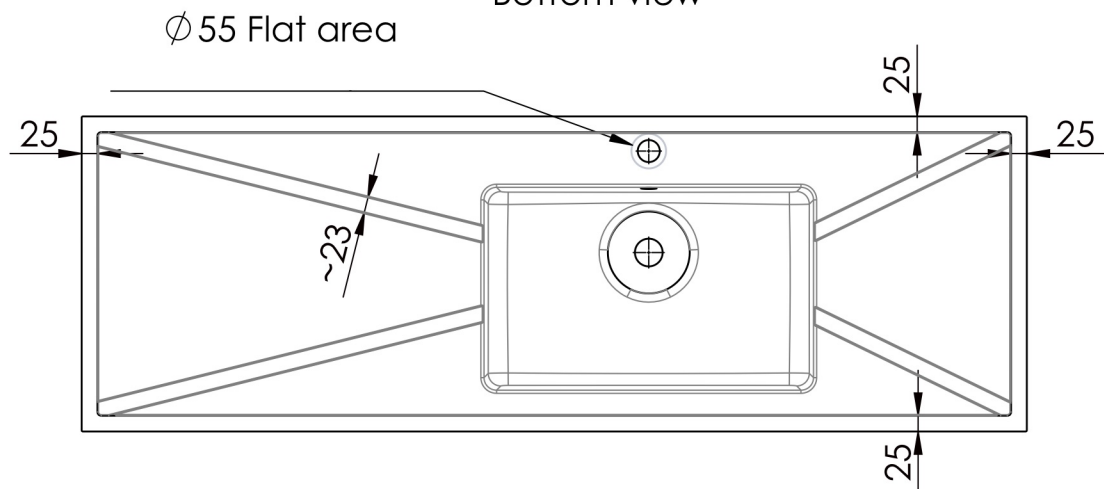
TOLERANCE +3/-3 mm



B-B (1:5)



Bottom view



VARIA 1500 L