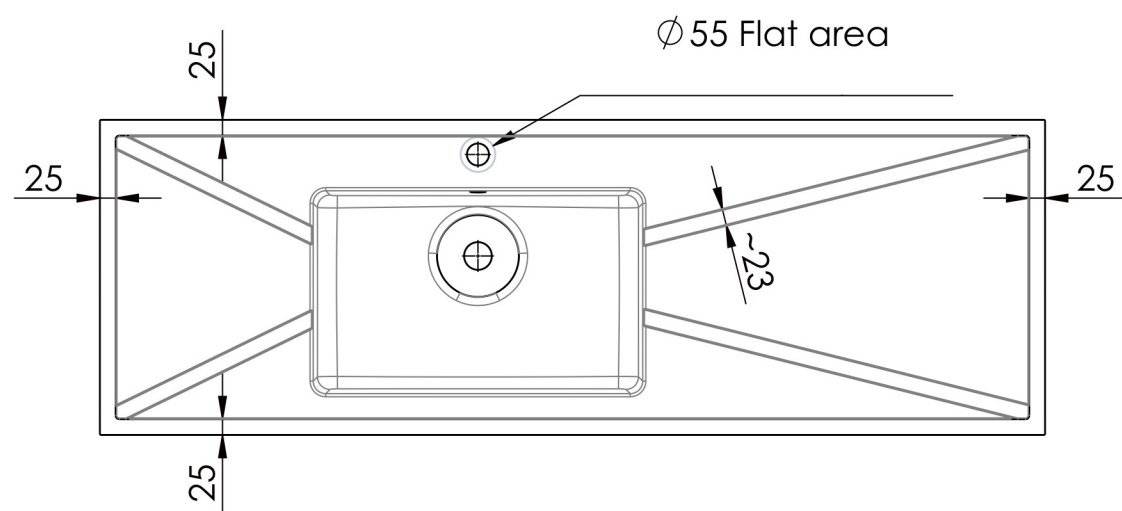
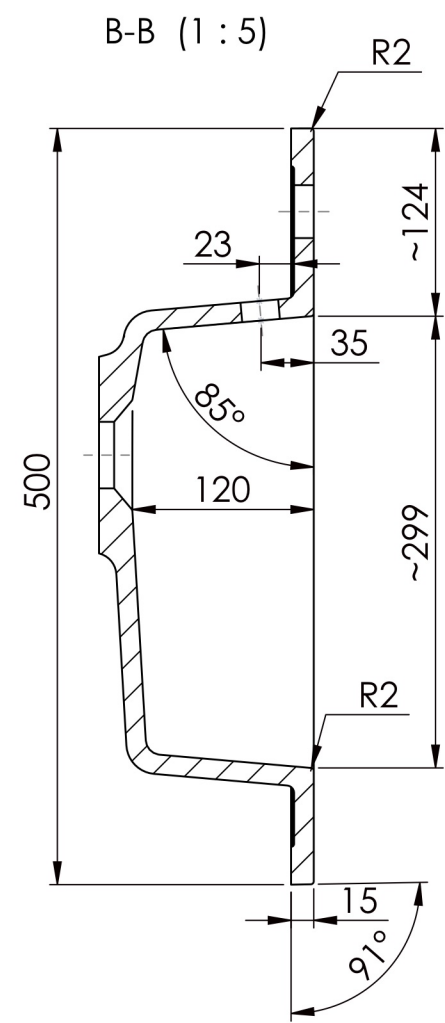
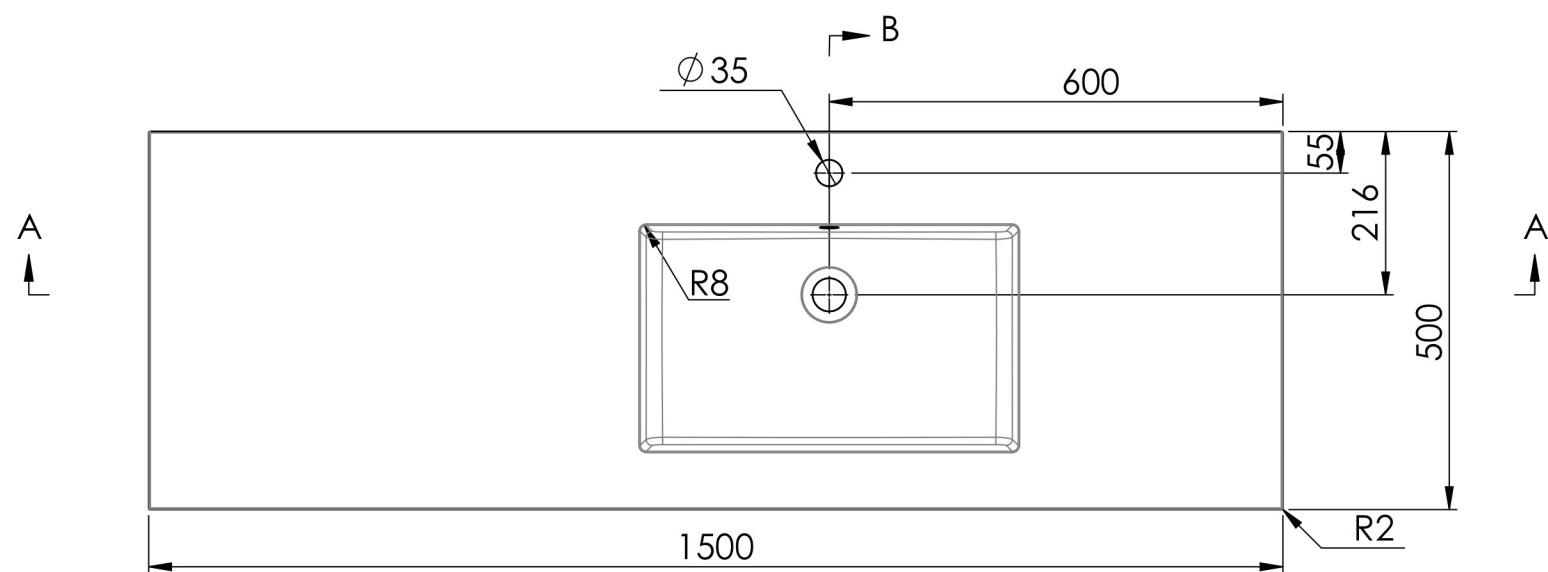


TOLERANCE +3/-3 mm



## VARIA 1500 R