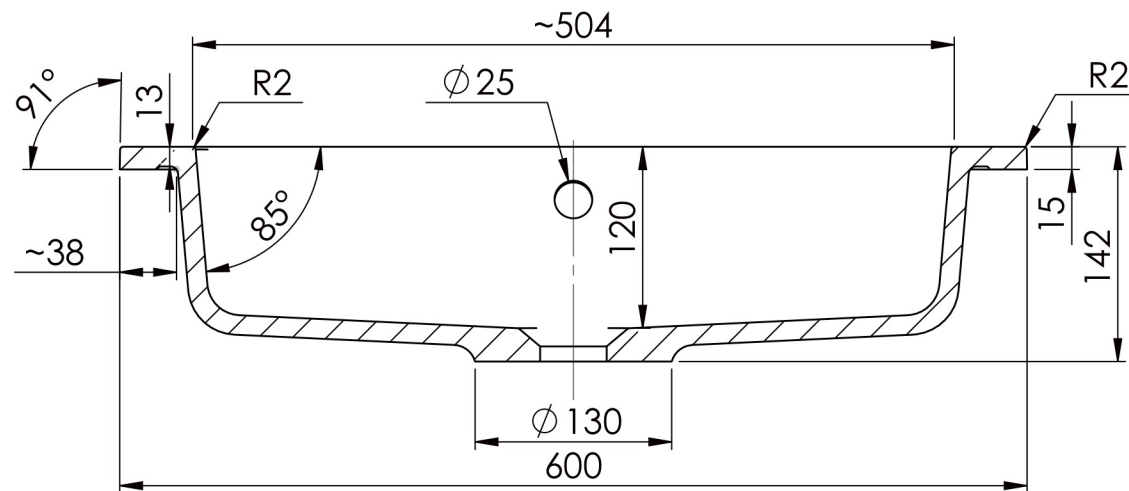
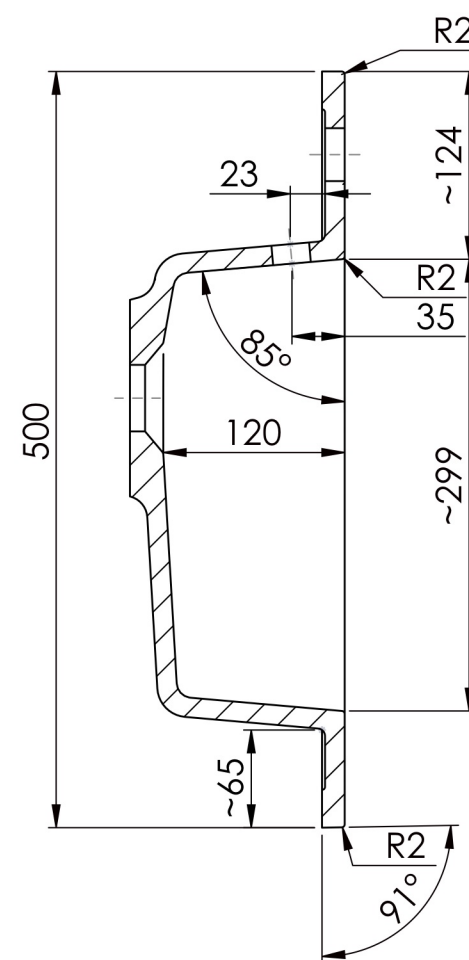


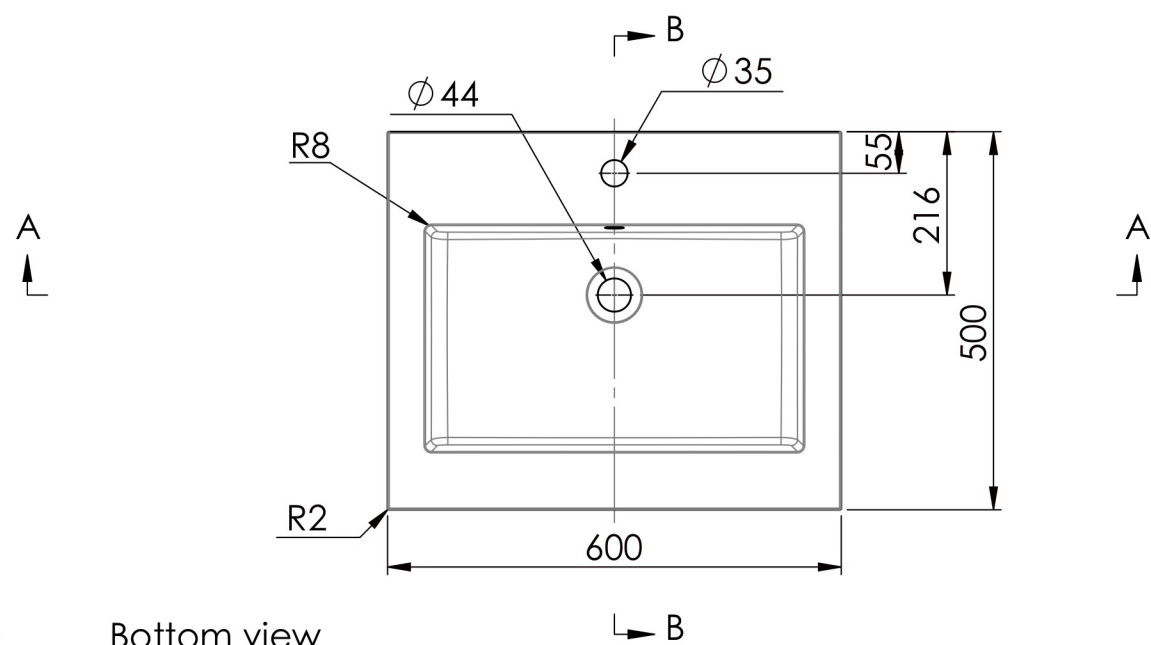
A-A (1 : 5)



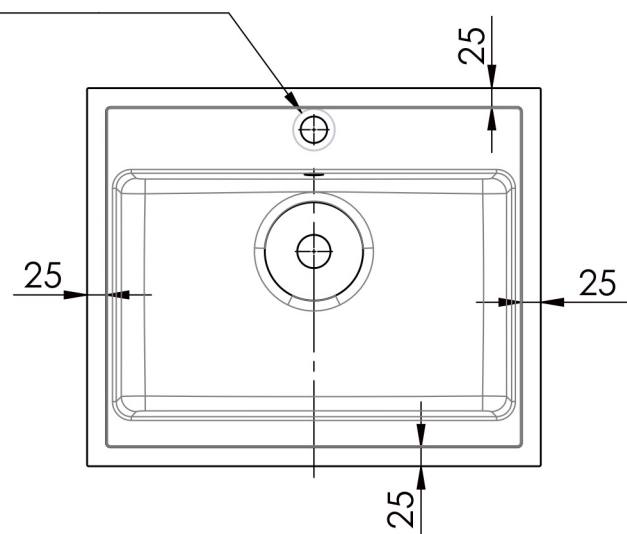
B-B (1 : 5)



TOLERANCE +3/-3 mm



Ø55 Flat area Bottom view



VARIA 600 C