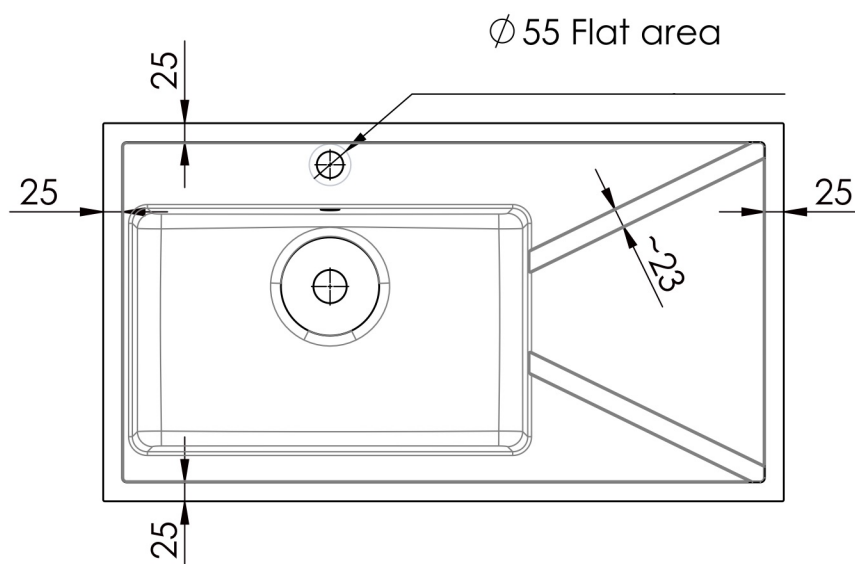
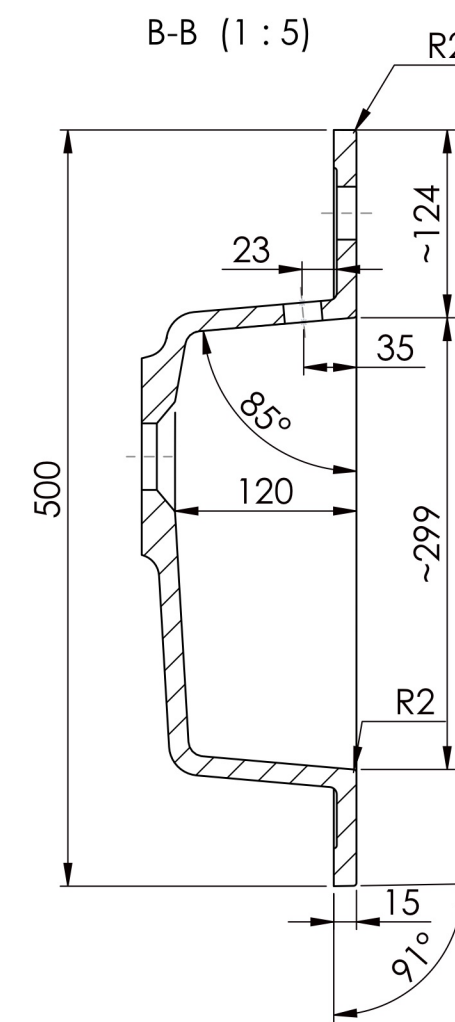
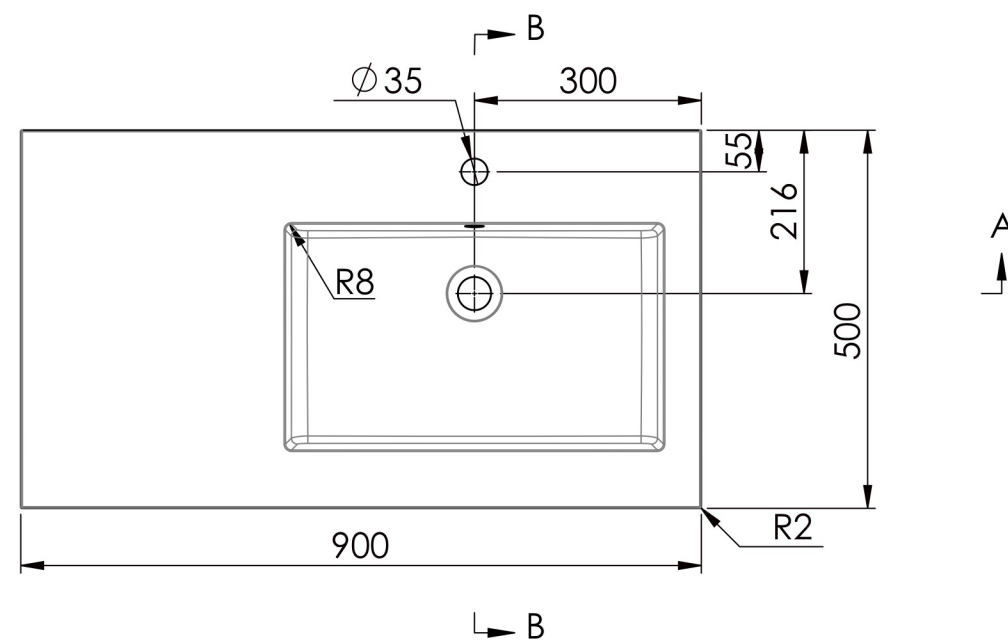


TOLERANCE +3/-3 mm



VARIA 900 R